



CL 620

EDIZIONE 2006

USE AND MAINTENANCE
USO E MANUTENZIONE
EMPLOI ET MAINTENANCE
GEBRAUCHS - UND WARTUNGSANLEITUNG
USO Y MANTENIMIENTO



This symbol alongside messages and instructions in this manual and on the machine indicates a potential danger; care must be taken to ensure your own safety and that of anyone within the machine's range of operation.

Sulla macchina ed all'interno di questo manuale sono presenti scritte ed indicazioni accompagnate da questo segnale, stanno ad indicare la presenza di un potenziale pericolo per cui è opportuno utilizzare una particolare prudenza per la propria sicurezza e di quanti si possono trovare nel raggio di azione della macchina.

Sur la machine et sur les pages de ce Manuel se trouvent des mises en garde et des indications accompagnées de ce signal; elles indiquent la présence d'un danger potentiel qui explique la nécessité d'être particulièrement prudent pour sauvegarder sa propre sécurité et la sécurité de tous ceux qui peuvent se trouver dans le rayon d'action de la machine.

Auf der Maschine und in diesem Handbuch finden Sie Beschriftungen und Hinweise mit dem hier abgebildeten Symbol. Sie weisen auf eine potentielle Gefahr hin, und Sie sollten besonders gefahrenbewußt vorgehen, um unnötige Risiken für sich selber und andere Personen, die sich im Aktionsbereich der Maschine befinden, auszuschließen.

En la máquina y dentro de este manual hay leyendas e indicaciones acompañadas por esta señal que indican la presencia de un peligro potencial o la necesidad de adoptar una prudencia especial para la seguridad propia y de los que se puedan encontrar en el radio de acción de la máquina.

IMPORTANT!!

This machine has been manufactured to EEC standards and carries the **CE** mark.

GENERAL SAFETY RULES

ATTENZIONE!!

Questa macchina è costruita secondo le normative CEE ed è certificata col marchio **CE**
NORME DI CARATTERE GENERALE SULLA SICUREZZA

ATTENTION!!

Cette machine est construite selon les directives européennes CEE; elle est certifiée par la marque **CE**
RÈGLES DE CARACTERE GÉNÉRAL SUR LA SECURITÉ

ACHTUNG!!

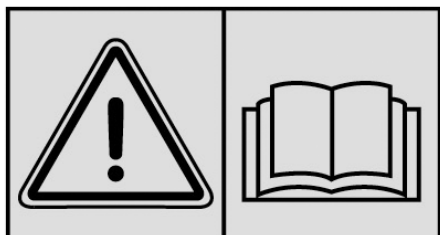
Diese Maschine entspricht den europäischen Richtlinien, und ist mit dem **CE**-Zeichen ausgezeichnet.

ALLGEMEINE SICHERHEITSHINWEISE

¡¡ATENCIÓN!!

Esta máquina se ha fabricado según las normas CEE y está certificada con la marca **CE**

NORMAS GENERALES PARA LA SEGURIDAD



SAFETY RULES

Pay attention to symbol DANGER! It points out all most dangerous operations according to the situation. All safety rules are important and therefore must be strictly observed.

Always keep this handbook within the reach, read it carefully and learn how to use the equipment in a safe way. Let nobody, unprovided with necessary information, work with the equipment.

NORME ANTINFORTUNISTICHE

Fate attenzione al simbolo PERICOLO! Indica la presenza di principali situazioni di pericolo. Tutte le norme antinfortunistiche contenute sono importanti e vanno rispettate.

Tenere sempre questo manuale a portata di mano, leggerlo attentamente ed imparare ad usare l'attrezzatura in modo sicuro. Non permettere che qualcuno operi con questa attrezzatura senza aver ricevuto istruzioni esaurienti.

NORMES POUR LA PREVENTION DES ACCIDENTS

Attention au symbole DANGER! Ce symbole illustre la présence des principales situations dangereuses. Toutes les normes que nous indiquons pour la prévention des accidents sont très importantes et doivent être respectées scrupuleusement.

Conserver toujours avec vous ce manuel! Nous vous demandons de le lire attentivement et d'apprendre à utiliser la tondeuse en toute sécurité. Ne jamais confier la machine à d'autres personnes sans leur avoir préalablement signalé le mode d'emploi et les normes de sécurité.

SICHERHEITSHINWEISE

Achtung - die mit dem Symbol GEFÄHR gekennzeichneten Hinweise weisen auf potentielle Gefahrensituationen hin. Alle sicherheitsrelevanten Hinweise in diesem Handbuch sind sehr wichtig und müssen unbedingt befolgt werden. Bewahren Sie dieses Handbuch stets griffbereit auf, lesen Sie es aufmerksam durch, und lernen Sie, die Maschine und die gesamte Ausrüstung sicher zu benutzen. Die Maschine darf nur von Personen benutzt werden, die vorher entsprechend unterwiesen wurden.

NORMAS DE PREVENCIÓN ACCIDENTES

Preste atención al símbolo ¡PELIGRO! Indica la presencia de situaciones importantes de peligro. Todas las normas de prevención accidentes detalladas son importante y ¡deben respetarse!

Conserve este manual al alcance de la mano, léalo atentamente y aprenda a usar el equipamiento de modo seguro. No permita que otras personas operen con este equipamiento sin haber recibido instrucciones exhaustivas.



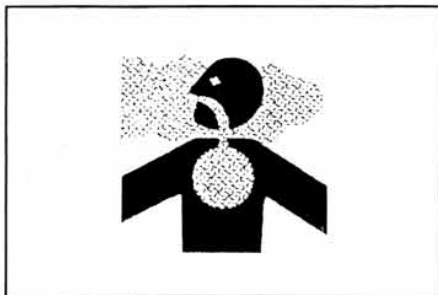
Take special care not to touch hot parts of the engine.

Prestate particolare attenzione a non entrare in contatto con parti surriscaldate del motore.

Veiller tout particulièrement à ne pas toucher des éléments surchauffés du moteur.

Achtung - keine heißen Motorteile berühren!

Obrar con cuidado para no tocar partes recalentadas del motor.



Engine exhaust fumes can cause sickness or death. If it is necessary to run an engine in an enclosed area, use an exhaust pipe extension to remove the fumes. Always try to work in a well ventilated area.

I gas di scarico possono causare malanni o morte. Se è necessario mettere in moto un motore in uno spazio chiuso, usare una prolunga tubo di scarico per far uscire il fumo. Lavorare in una zona ben ventilata.

L'exhalation des gaz d'échappement peut causer une intoxication ou provoquer la mort. S'il est vraiment nécessaire d'activer le moteur à l'intérieur, appliquer au tuyau d'échappement un autre tuyau extensible pour permettre la sortie des gaz. Travailler de préférence en plein air.

Auspuffgase können Übelkeit, Ohnmacht oder sogar den Tod zur Folge haben. Muß der Motor in einem geschlossenen Raum laufen gelassen werden, sind die Abgase über eine Auspuffverlängerung abzuleiten. Sofern möglich, immer im Freien oder an einem gut belüfteten Ort arbeiten.

Los gases de escape pueden provocar enfermedades o muerte. De ser necesario poner en marcha un motor en un espacio cerrado, usar una prolongación del tubo de escape para que el humo salga al exterior. Trabajar en una zona bien ventilada.



Caution! Never touch moving pulleys or belts. They can be very dangerous. Never carry out maintenance with engine running.

Attenzione! Non toccare mai pulegge o cinghie in movimento, creano gravi danni alla persona. Non fare manutenzione col motore in moto.

Attention! Ne jamais toucher les poulies ou les courroies en mouvement; elles peuvent provoquer des accidents aux personnes. Ne pas effectuer l'entretien quand le moteur est en marche.

Vorsicht! Keine laufenden Riemenscheiben oder Treibriemen berühren. Verletzungsgefahr! Niemals Wartungsarbeiten bei laufendem Motor durchführen.

¡Atención! No tocar jamás poleas o correas en movimiento, porque pueden crear graves daños a la persona. No efectuar el mantenimiento con el motor en marcha.



A blow out which separates the tyre from the wheel rim can cause serious injury or even death.

La separazione fra pneumatico e cerchione, causata dall'esplosione del pneumatico, può provocare serie ferite o addirittura la morte.

La séparation entre le pneu et la jante, découlant de l'explosion du pneu, peut causer des dommages blessures ou la mort.

Das Platzen eines Reifens hat dessen Abspringen von der Felge zur Folge, und kann schwere oder sogar tödliche Verletzungen verursachen.

La separación entre el neumático y la llanta producida por la explosión del neumático puede provocar graves heridas e incluso la muerte.



Sharp component. Keep hands and feet away do not clean the attachment when the engine is turning.

Organo tagliente. Tenere lontano piedi e mani. Non pulire l'attrezzo con il motore in moto. Organe tranchant. Ne pas approcher mains et pieds. Ne pas nettoyer l'outil quand le moteur est en marche.

Schneidenden Klinge. Hände und Füße fernhalten. Niemals bei laufendem Motor reinigen.

¡Peligro! Órgano cortante. Mantener lejos los pies y las manos. No limpiar la herramienta con el motor en marcha.



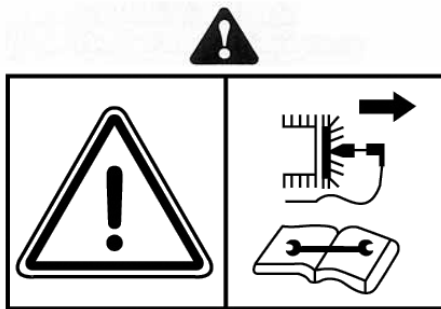
Handle fuel with care, it is highly flammable: Do not refuel machine while smoking, when machine is near an open flame or sparks, or when engine is running. Stop engine.

Maneggiare il carburante con cura, è altamente infiammabile; non fate rifornimento mentre fumate, o vicino a fiamme o scintille, o quando il motore è acceso.

Manier avec soin l'essence; elle est très inflammable; ne pas remplir le réservoir si vous êtes en train de fumer ou si la machine est près du feu ou d'étincelles ou encore pendant que le moteur est activé.

Mit Treibstoff vorsichtig umgehen, da er leicht entflammbar ist; beim Tanken nicht rauchen; niemals in der Nähe von Flammen oder Funken tanken, oder wenn der Motor läuft. Immer den Motor abschalten.

Manejar el combustible con cuidado porque es sumamente inflamable; no repostar mientras se fuma o cerca de llamas o chispas, o cuando el motor está encendido.

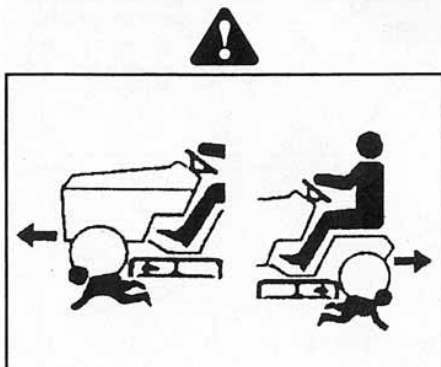


Attention! Before making maintenance, switch off the engine and disconnect the spark plug.

Attenzione! Prima di fare manutenzione, spegnere il motore e scollegare la candela.

Attention! Avant de faire entretien, arreter le moteur et disjoindre la bougie d'allumage.

Achtung! Bevor der Wartungsanleitung machen, stellen Sie den Motor ab und schalter. Sie die Zündkerze aus.



Rotating blades are dangerous. Protect children and prevent accidents.

Le lame in movimento sono pericolose. Proteggete i bambini e prevenite gli incidenti.

Les lames rotatives sont dangereux. Protéger les enfants et prévenir les incidents.

Arbeitenden Messern sind gefährlich, Kinder schützen und Unfälle vorbeugen.

Las cuchillas en movimiento son peligrosas, proteger a los niños y prevenir los accidentes.



WARNING! SHARP PARTS. Keep hands and feet away. Do not operate the mower over gravel or foreign bodies which may be sucked up and ejected by the blades, generating a danger. Keep people away. remove the key and read the instruction manual before attempting to carry out any maintenance or repairs to the machine.

ATTENZIONE! ORGANO TAGLIENTE. Tenere lontano mani e piedi. Non lavorare col rasaerba sopra alla ghiaia o corpi estranei che possono essere aspirati e centrifugati dalle lame risultando molto pericolosi, tenere lontano le persone. Togliere la chiave e leggere le istruzioni prima di effettuare qualsiasi operazione di manutenzione e riparazione.

ATTENTION! ORGANE TRANCHANT. Eloigner les mains et les pieds. Ne pas utiliser la tondeuse sur le gravier ou sur des corps qui peuvent être aspirés et centrifugés par les lames et devenir très dangereux. Les personnes doivent se trouver à une certaine distance. Enlever la clé et lire les instructions avant toute opération de maintenance et de réparation.

ACHTUNG! SCHARFE KLINGEN. Hände und Füße fernhalten. Beim Mähen nicht über Schotter, Steine oder andere Fremdkörper fahren, da diese durch die Drehbewegung der Messer angesaugt und weggeschleudert werden können (Verletzungsgefahr). Nicht in der Nähe von anderen Personen mähen. Vor jedem Wartungs- bzw. Reparatüreingriff den Startschlüssel abnehmen und die Gebrauchsanleitung durchlesen.

¡PELIGRO! ÓRGANO CORTANTE. Mantener lejos los pies y las manos. No limpiar la herramienta con el motor en marcha. ¡Peligro! Expulsión de objetos: mantener alejadas las personas. Atención: quitar la llave y leer las instrucciones antes de efectuar cualquier operación de mantenimiento o reparación.

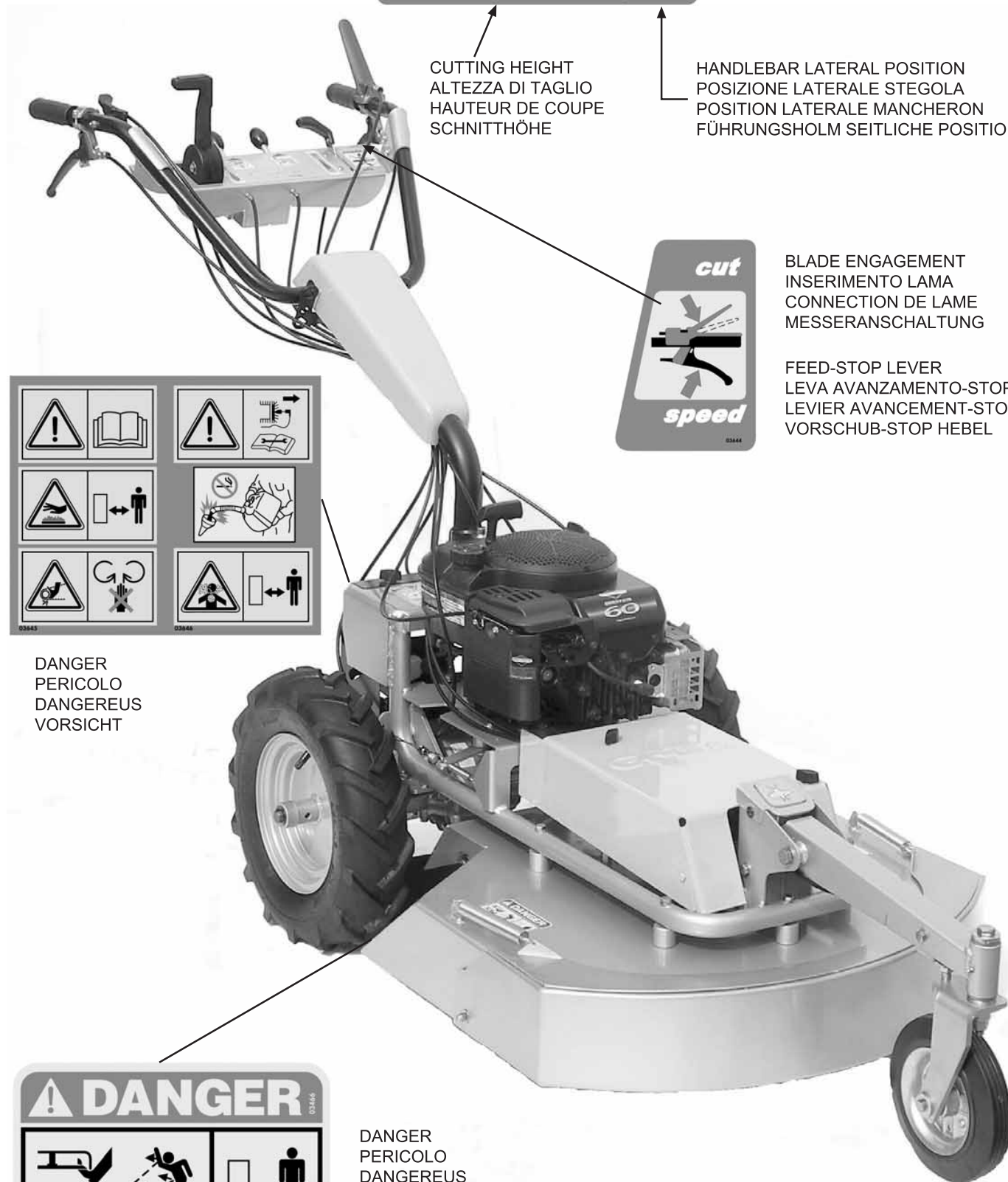
THROTTLE
LEVA MANETTINO ACCELERATORE
ACCELERATEUR
GASHEBEL



HYDROSTATIC LEVER
LEVA IDROSTATICA
LEVIER HYDROSTATIQUE
HYDROSTATISCHES HEBEL

CUTTING HEIGHT
ALTEZZA DI TAGLIO
HAUTEUR DE COUPE
SCHNITTHÖHE

HANDLEBAR LATERAL POSITION
POSIZIONE LATERALE STEGOLA
POSITION LATERALE MANCHERON
FÜHRUNGSHOLM SEITLICHE POSITION



BLADE ENGAGEMENT
INSERIMENTO LAMA
CONNECTION DE LAME
MESSERANSCHALTUNG

FEED-STOP LEVER
LEVA AVANZAMENTO-STOP
LEVIER AVANCEMENT-STOP
VORSCHUB-STOP HEBEL



DANGER
PERICOLO
DANGEREUS
VORSICHT



DANGER
PERICOLO
DANGEREUS
VORSICHT

“GRILLO CL 620” HYDROSTATIC MOWER

Dear Customer,

thank you for choosing the Grillo CLIMBER 620. We hope that this new tractor mower will perfectly meet your requirements.

For best use and maintenance over time, please carefully read and follow the instructions given in this manual. This will enable you to get top results from your mower and will prevent avoidable expense.

Please look after this manual which should always be kept with the machine.

WARNING! Read carefully before starting the engine.

These instructions are vital to avoid accidents!

SAFETY RULES

Caution is the best tool for accident prevention.

You are urged to read the following instructions for use of the mower before starting work.

Incorrect use of the mower and its equipment may cause damage. To reduce this risk, follow the precautions given below:

- 1) Read the whole of this manual before starting up the mower and setting it into motion.
- 2) Pay particular attention to the warnings and safety labels on the mower.
- 3) The rotating blades of the mower are highly dangerous. **Never place your hands or feet under the mower.**
- 4) Before allowing others to use the mower, inform them of the safety rules and carefully instruct them on how to use the machine.
- 5) Before starting up the mower, make sure that there is nobody nearby, and particularly that there are no children in the vicinity.
- 6) Before starting to reverse the mower, make sure that there is nobody and no obstacles behind.
- 7) Do not allow passengers on the mower.
- 8) Never use the mower if you are tired, and do not use after drinking alcohol.
- 9) Check the land before starting mowing. Make sure that there are no stones, sticks or other foreign bodies that may damage the machine or be thrown a long way, creating a danger to anybody in the vicinity.
- 10) **Before starting work, put on suitable working clothes, gloves, strong shoes and protective glasses.**
- 11) This machine cannot be driven on public roads.
- 12) Travel at low speed along rough tracks.
- 13) Reduce speed when travelling down steep slopes.
- 14) Do not allow children to operate the machine: use is prohibited under the age of 16.
- 15) Do not reverse at high speed.
- 16) While working, never operate the start and reverse pedals abruptly.
- 17) To avoid the danger of inhaling toxic fumes, do not turn on the engine in closed areas.
- 18) **Before starting the engine, fill up the tank with fuel.**
Always turn off the engine before filling up with fuel. Keep away from sparks and naked flames and do not smoke!
Do not remove the fuel tank cap when engine is hot.
Replace the fuel and container cap securely.
- 19) Do not allow the fuel to overflow. After filling the tank, clean off any spills on the mower before starting up the engine: do not cause any injection sources with the gasoline vapours poured are dispersed.
- 20) Do not use the mower near ditches or embankments that may give way under the weight of the mower, particularly when the surface is broken or wet.
- 21) When driving downhill, always take curves gently.
- 22) Do not tamper with or disable the safety devices. Never use the machine without guards, with the guards damaged or without safety devices.
- 23) Before moving on surfaces different from grass, disengage the blade.
- 24) Never work on gravel with the mower as the gravel will be taken in and spun by the blades, creating a severe hazard.
- 25) **Do not perform any kind of adjustment or cleaning operation with the engine running, disconnect also the spark plug.**
- 26) **Do not allow another person to check the machine while you are on your driving seat with the engine running.**
- 27) The user is always responsible for damages caused to third parties.
- 28) If the machine is used incorrectly, the guarantee will be annulled and the manufacturer will disclaim all responsibility.

- 29) Only use the mower with the stone guard.
- 30) Deformed or damaged blades must always be changed. Never attempt to repair them.
- 31) Always use original Grillo spare parts.
- 32) If you have to empty the fuel tank, do this outdoors.
- 33) CAUTION: to reduce the risk of fire, keep the engine compartment, the exhaust pipe, the exhaust manifolds, the tank area and the fuel pipeline free from grass, leaves, dust, etc.
- 34) Never store the machine inside a building where fuel vapours may reach flames, sparks or bare electrical wiring.
- 35) Replace worn or damaged exhaust pipes.
- 36) Store fuel in containers specially constructed for this purpose.
- 37) Allow the engine to cool before placing the machine indoors.

This machine must always be used in accordance to the recommendations, which are indicated in this manual. If these safety information are not followed, the builder declines all responsibility.

Release attachments transmission, switch off the engine and disconnect the spark plug:

- a) **before cleaning the obstructed points;**
- b) **before checking or repairing the grass-cutter lawn mower;**
- c) **after having bumped against a foreign body (check the cutting device to see if it is damaged and repair it, before using it another time);**
- d) **if the machine vibrates in a anomalous way, make immediately a general check to identify what causes this anomaly: if necessary, ask for the assistance of a technician).**

Switch off the engine and release the transmission:

- a) **before the refuelling;**
- b) **before the cleaning.**

Disassembly the blade substitution or sharpening. Firstly switch off the engine, disconnect the spark plug and use the gloves, to avoid the risks of injuries.

At the end of the cutting, bring the accelerator control lever at low revolutions and switch off the engine; if the engine is endowed with the fuel lock cock, close it.

Keep correctly screwed bolts, nuts and screws to be sure that the material is in working order.

If some fuel remains in the tank, do not detach the material in a building, where the fumes can cause a flame or a spark. Let the engine cool, before putting back the machine, whatever is the sort of the place.

Check frequently the condition of the expulsion rear protection, to avoid the deterioration.

Substitute the worn or damaged elements, so that the machine works in safety conditions.

Substitute the mufflers in bad conditions.

Before starting the work, make always sure that the blade, its bolts and all its cutting parts are not worn or damaged.

Substitute the worn or damaged blade and the bolts, taking into consideration their series, in order to conserve the balance.

Work only with the day-light or under a good artificial light.

Slow down on the slopes and in the narrow bends to avoid the tipping or losing of control; be very careful during the changes of direction on the slopes.

Risk caused by the ground:

1. **when the ground is very sloping;**
2. **on the climb the fall of the driver may caused the withdrawal of the machine;**
3. **in the descent, the fall of the driver may caused the tumbling of the machine;**
4. **when the ground is cluttered with natural objects: rocks, movable stones, tree-stumps, bottles, pieces of iron, stakes and all the foreign bodies of every kind; these obstacles may be transformed in dangerous bullets and urge the cutting-device in a unforeseeable way: they must be avoided.**

Do not use the grass-cutter lawnmower, whose body has damaged protections or whose safety-device is not correctly installed.

Do not change the statements of the engine RPM, if the engine is at maximum.

If the engine works at an excessive speed, the risk of people injuries increases.

For every kind of cutting-work, use the anti-noise helmet or the auricular protections.

Before leaving the drive-seat:

- a) **disconnect the blade;**
- b) **switch off the engine.**

Do not travel along gravelly ground, or in places covered with burnt ground and always avoid the machine transport from a place to another, if you have not disconnected the blade.

Avoid the cutting:

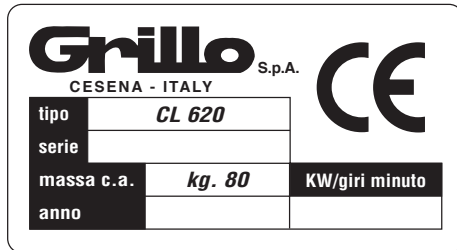
- a) **near residential areas;**
- b) **near passages;**
- c) **near rest areas.**

Do not let use the grass-cutter lawn mower by anyone who has not read the manual.

Pay attention not to slip on the slopes, above all when the grass is wet.

For the transport with vehicles different from your machine

IDENTIFICATION AND TECHNICAL ASSISTANCE



IDENTIFICATION

The Grillo CL 620 has a label, indicating the machine's serial number.

TECHNICAL ASSISTANCE

This manual provides instructions for use and basic maintenance of the mower by the user.

For operations that are not described in this manual, contact your Area Dealer.

SPARE PARTS

Only use original spare parts. These are the only parts that ensure safety and interchangeability.

Always quote the machine's serial number and the code number of the part to be replaced when ordering spare parts.

For engine parts, follow the indications given in the specific manual.

GUARANTEE

The guarantee is provided according to the terms indicated on the guarantee card.

For the engine and the battery, the provisions of the relative manufacturers apply.

RECOMMENDED LIST OF SPARE PARTS TO BE KEPT IN STORE

- 2 x mowing blades
- 2 x blade screws
- 2 x blade screw nuts
- 1 x set of belts
- 1 x air filter for engine
- 1 x accelerator wire

TECHNICAL DATA

ENGINE: BRIGGS & STRATTON QUANTUM XTL 60 190 cc. – 4 stroke petrol, 4,4 kW (6,0 hp), supplied with cast iron cylinder.

STARTING SYSTEM: pull starter with automatic rewind.

GEAR SYSTEM: hydrostatic transmission.

SPEED: with continuous variation, forward max. 6 km/h, reverse max. 3,5 km/h.

HOURLY CUTTING CAPACITY: 2000 m_/h.

CUTTING HEIGHT: 20-50-80-100 with easy adjustment from the handlebar.

CUTTING WIDTH: 620 mm.

DRIVING WHEELS: with 4 PR, clawed tires 4.00-8, 4 PR.

FRONT WHEEL: with locking-system from the handlebar designed for working on slope and ensuring total comfort to the driver.

CUTTING DECK: with rear / side discharge.

BLADE PERIPHERAL SPEED: 64 m/sec.
CUTTING SYSTEM: rotary, 1 blade fitting.
HANDLEBAR: with easy vertical and lateral adjustment from the handlebar.
DIMENSION: height 2100 mm; width 720 mm; length 1050 mm.
WEIGHT: 80 kg.

PUTTING THE MACHINE INTO SERVICE

- 1) Check that the machine has not been damaged in transit.
- 2) Check the oil levels of the engine, hydrostatic transmission.
- 3) Check the tyre pressure:
1 BAR front wheels 4.00-8.
- 4) Rotate the driving handlebar.
- 5) Assemble the front wheel support and connect the wheel locking-cable (fig. 3-fig.4).

RUNNING IN - CAUTION!!

Change the engine oil after the first 5 working hours.

Check that there are no oil leaks or slack screws, especially those which fix the blade.

After the first working hours adjust both the belt tension of the cutting deck and the brake (fig. 2 n° 1 – fig. 15).

INSTRUCTIONS FOR USE

Before starting up the engine, always check that:

- the engine oil level is correct, fig. 5 (follow the maintenance manual);
- the oil in the hydraulic motor is at the correct level (fig. 6); the correct level is 12 mm underneath the bottom of the tank;
- the travel lever is in the idle position (fig. 2 n°7);
- the engine cooling intake grilles are clean (fig. 7);
- air filter is clean, fig. 2 n°15 (follow the maintenance manual).
- the mowing deck is clean;
- the hydraulic motor fins are clean (fig. 8);
- the blades are sharp and firmly fastened in place;
- the screw in the centre of the blade hub is securely tightened (fig. 9)

Fill the fuel tank using a funnel with very fine filter (fig.2 n°14).

STARTING UP THE ENGINE

- Push the throttle half way in (fig.2 n°10)
- If the engine is cold, use the START choke, pumping three times on the little membrane (fig. 7).
Switch on the engine, pulling with strength.
- Once the engine has started, turn off the choke and wait for a few minutes to allow the engine to warm up.

N.B. When moving the mower from one place to another, you are advised to keep the cutting deck at the maximum height setting.

STARTING WORK

- Choose the desired cutting height by means of the lever 8 fig. 2. Suitably accelerate the engine and engage the PTO lever (1, fig. 2). Gently operate the forward travel lever (fig.2 n°2) and start work. To stop, leave the forward travel lever (fig.2 n°7) and the PTO (fig.2 n°1).
- The lever (fig.2 n°2) is used both to choose the work-speed and to reverse. When it is moved back, the machine moves backwards; always operate it gently.

PARKING BRAKE

To engage the parking brake locking the steering brake levers with the proper lock.

Adjust the brake, using the register, which is located on the lever (fig. 2 n° 12).

USEFUL RULES FOR EFFICIENT USE

- 1) Never strain the engine: when fumes are emitted from the exhaust it means that it is being strained. Slow down.
- 2) Do not leave the machine out in the rain.
- 3) Frequently sharpen the mower blades: the cut will be better and the engine will not be strained as much.
- 4) Keep the engine at peak rpm during mowing, adjust the speed according to the height of the grass.
- 5) **Keep the grilles above the engine and the cooling fins of the hydraulic motor clean (fig. 7 – 8).**

CUTTING POSITIONS

The cutting position is adjusted using the lever 8 fig. 2.

The plate can be set in 4 different cutting positions from 35 to 100 mm.

In case of uneven ground, humps or dips, the plate should be kept in the highest cutting position to prevent knocks by the blade.

SPECIFIC MAINTENANCE

***COMPULSORY** - Before every use make sure that the intake zone for the cooling and the engine cylinder are clean. **OTHERWISE, THE WARRANTY WILL BE NULLIFIED.**

***The engine**

Consult the maintenance manual, herewith attached.

***The grass-cutter lawn mower**

After every use, clean with care the cutting-carter and remove from the engine possible vegetable residues.

Check the cutting-blade; it must always be very sharp, to obtain an as much as possible clean cutting, so a better capability of your pruning saw.

Attention: if you sharp the cutting-blade, check its stability. Moreover, every 25 working hours, lubricate the bearings, the axles. Often check the bolts screwing up in general.

MAINTENANCE AND LUBRICATION

CAUTION

Disconnect the plugs before performing any cleaning, maintenance or repair operation. Always wear suitable clothing and working gloves.

IMPORTANT!

Protect the environment: carefully dispose of used oils, petrol and any other pollutant product!

Efficient maintenance and correct lubrication help keep the machine in perfect working order.

ENGINE

For the lubrication intervals, follow the instructions provided in the engine handbook; in all cases **the oil must be changed after the first 5 working hours.**

The first precaution is to ensure that the engine is correctly serviced with the air filter, cooling fins and cylinder head clean and the oil at the correct level.

Check the air filter every 4 hours, or even more often in very dusty environments.

Check the engine cooling intake grille (fig. 7).

HYDROSTATIC AXLE

With the engine cold, check the expansion tank (fig. 7); it must be empty.

Clean the hydraulic motor cooling fans often, every 4 working hours in summer when conditions are very dusty (fig. 8).

Replace oil after the first 50 working hours, then every 200 hours, use 10W30 engine oil; quantity: 1.85 l, for replacing follow the instructions given:

- 1) remove the two plugs fig. 10;
- 2) remove the plug using a screwdriver fig. 11;
- 3) screw the two caps fig. 10 (torque 13-17 N.m);
- 4) add oil, fix the cap fig. 11;
- 5) make sure the expansion tank is empty, the correct oil level is 12 mm underneath the bottom of the expansion tank, fig. 6.

FRONT WHEEL AXLE

Grease the front wheel fig. 12 every 20 hours.

Lubricate the handlebar joints and the cables.

AIR FILTER

Check the air filter every 4 hours, or more frequently if working in a very dusty environment (fig.2 n°15).

CHECKING THE BLADES AND CUTTING DECK

A blunt blade tears the grass, leaving it unattractive. The cutting edges of both blades must be sharpened. To remove a blade, take hold of it firmly, wearing work gloves, and unscrew the central screw, remembering that the screw has a right-hand thread (3 fig. 9). Sharpen both cutting edges using a medium-grain grinding wheel and check that the blade is balanced by standing it on a round bar inserted in the central hole.

CAUTION!

Tighten the fixing screw (3 fig. 9) firmly.

Always replace damaged or crooked blades; never attempt to repair them! When fitting, always follow the diagram fig. 9.

ALWAYS USE ORIGINAL BLADES! Always check visually that the blade bolts are not wearing or damaged.

BLADE - DRIVE BELT

To adjust the belt tension act on the register (fig.2 n°1), which is on the lever. Working, the spring must stretch 100 mm.

If the belt becomes twisted or comes off, check the pulley alignment.

Take care when positioning the belt guides; move them towards the belt (fig 13). When the drive belt is in tension, it must not reach the guides.

DRIVE BELTS - HYDROSTATIC AXLE

Check the spring tension, which during the work must stretch 17 mm. To replace the belts, release the tension springs (fig. 14).

BLADE ROTATION

Rotation is started and stopped using the lever 1 fig. 2 (leaving the lever, the blade stop working).

When rotation is engaged, the engine must be running at medium rpm and the machine must not be in the grass for cutting.

The blades are disengaged, leaving the lever (1, fig. 2).

The blade must stop within 5 seconds; if this is not the case, adjust the brake using the register (fig.15).

N.B. This operation must be carried out by an authorised after-sales service centre.

CHANGING THE BELTS

The movement is transmitted from the motor to the hydraulic transmission and to the blades by means of two V-belts. **Replace the belts as soon as they show signs of wear!**

Their replacement and subsequent adjustment are fairly complex procedures and must be carried out by an Authorised After-Sales Service Centre.

For cutting deck drive belt, the two belt guides beside the pulley have to be removed (fig. 13); release the belt stretcher spring (fig. 16) and remove the belt guides (A, fig. 16).

Release the blades brake and the spring (**Note:** the spring must be assembled in the ring).

For the drive belt hydrostatic axle, you need assembly the belt guides support (fig. 17).

ALWAYS USE ORIGINAL BELTS!

TRACTION RELEASE LEVER

The traction release device is located at the back of the machine (fig. 18); if the machine breaks down, to allow it to be moved by hand, move the lever to idle position (A, fig. 18). In the position (B) shown in Fig. 22 the machine is in working condition.

TROUBLE-SHOOTING:

PROBLEM	
CAUSE	REMEDY
	Difficult starting or irregular running of engine
– Carburettor problems	– Clean or change the air filter – Adjust the carburettor (follow engine manual instructions)
– Deposits or dirt in fuel	– Empty the tank and use fresh petrol – Check and change the petrol filter if necessary – Check that the vent on the tank cap is not blocked
– Fault in ignition system	– Check that the caps of the sparkplugs are correctly fastened – Check that the electrodes are clean and at the correct distance apart.

Drop in engine performance during cutting

- Speed too high for cutting height
 - Reduce speed
 - Raise cutting deck by a few notches
-

Uneven cutting

- Cutting deck not parallel to ground
 - Check tyre pressure
 - Blades fault
 - Check that the blades are correctly mounted
 - Sharpen or change the blades
 - Check the tension of the plate motor belt
-

Vibrations during operation

- Blades unbalanced
 - Balance the blade or replace them if damaged.
 - Fastenings are loose
 - Check and fasten the blade fixing screws and the fixing screws of the engine and chassis.
-

THE MACHINE DOES NOT REMAIN IN NEUTRAL

Adjust the device (fig. 19) by loosening the counter-nut and acting on the central screws.

ENDING WORK

After mowing, disengage the blade and drive back to base with the cutting deck in the highest position.

To stop, leave the travel lever to the STOP position (2, fig. 2), set the throttle lever on the STOP position (fig.2 n°10), switch off the engine.

STORAGE AND PROLONGED PERIODS OF DISUSE

Store the mower in a dry place, away from atmospheric agents, and preferably cover with a sheet, and follow the instructions given in the engine manual. Also lubricate all of the articulated joints.

Engines stored over 30 days need to be protected or drained of fuel to prevent gum from forming in fuel system or on essential carburettor parts. For engine protection, we recommended use of Briggs&Stratton Fuel Stabilizer available from an Authorized Briggs&Stratton Service Dealer. Mix stabilizer with fuel in fuel tank or storage container. Run engine for a short time to circulate stabilizer through carburettor. Engine and fuel can be stored up to 24 months.

Note: if stabilizer is not used or if engine is operating on gasoline containing alcohol, e.g. gasohol, remove all fuel from tank and run engine until it stops from lack of fuel.

RASAERBA IDROSTATICO “GRILLO CL 620”

Gentile Cliente,

nel ringraziarla per la fiducia e la preferenza accordata al nostro Grillo CL 620, confidiamo che l'uso di questa sua nuova macchina risponda pienamente alle sue esigenze.

Per l'impiego ottimale e per la sua manutenzione nel tempo, la preghiamo di leggere attentamente e seguire scrupolosamente le indicazioni di questo libretto; ciò le consentirà di ottenere i massimi risultati e salvaguardare la sua spesa.

La preghiamo di conservare questo libretto, che dovrà sempre accompagnare la macchina.

ATTENZIONE! Leggere attentamente prima di avviare il motore.

Le seguenti avvertenze sono importanti per l'incolumità dell'operatore!

NORME INFORTUNISTICHE

La prudenza è l'arma principale nella prevenzione degli incidenti!

La preghiamo vivamente di leggere con attenzione le seguenti avvertenze nell'uso del trinciaerba, prima ancora di iniziare il lavoro.

L'uso improprio del trinciaerba e il suo equipaggiamento possono risultare pericolosi; per ridurre queste possibilità osservare le precauzioni necessarie di seguito riportate:

- 1) Leggere questo manuale interamente, prima di accendere e mettere in movimento il trinciaerba.
- 2) Dare particolare attenzione alle ammonizioni e alle etichette di sicurezza attorno al trinciaerba.
- 3) La rotazione della lama del trinciaerba è altamente pericolosa, **non mettere mai le mani o i piedi sotto al piatto trinciaerba.**
- 4) Prima di fare lavorare con la macchina altre persone bisogna metterle al corrente delle norme di sicurezza e di come si usa.
- 5) Prima di accendere la macchina verificare che non ci siano persone intorno; **specialmente bambini.**
- 6) Prima di partire con la macchina in marcia indietro controllare che non ci siano persone od ostacoli.
- 7) Non permettere passeggeri sulla macchina.
- 8) Non usare la macchina quando si è affaticati e non bere alcolici.
- 9) Controllare il terreno prima di procedere alla rasatura, che non vi siano sassi, bastoni o corpi estranei, che potrebbero essere scagliati lontano, e quindi molto pericolosi.
- 10) **Prima di iniziare il lavoro, indossare indumenti appropriati da lavoro, guanti, scarponi, occhiali.**
- 11) Questa macchina, non può viaggiare su strada.
- 12) Sui viali sconnessi viaggiare a bassa velocità.
- 13) In discesa moderare la velocità.
- 14) Non fare lavorare ragazzi troppo giovani; è vietato l'uso ai minori di 16 anni.
- 15) Non fare retromarcia col motore accelerato.
- 16) Non azionare la leva avanzamento e retromarcia bruscamente.
- 17) Per evitare il pericolo di esalazioni velenose non adoperare il motore acceso in un locale chiuso.
- 18) **Prima di avviare il motore riempire il serbatoio di carburante.**
Fare rifornimento di combustibile solo all'aperto, spegnere sempre il motore, stare lontano da scintille o fiamme, non fumare!
Non rimuovere il tappo serbatoio carburante quando il motore è caldo.
Riposizionare in modo sicuro il tappo del serbatoio e dei contenitori di carburante.
- 19) Evitare fuoriuscite di combustibile e dopo aver riempito il serbatoio pulire ogni fuoriuscita sulla macchina prima di avviare il motore: evitare di creare qualsiasi sorgente di iniezione fino a quando non si siano dissipati i vapori di benzina fuoriuscita.
- 20) Non operare col trinciaerba vicino a fossati o banchine che si possono rompere sotto il peso della macchina, specialmente quando la superficie è staccata o bagnata.
- 21) In discesa curvare sempre lentamente.
- 22) Non manomettere o disattivare i dispositivi di sicurezza, non usare la macchina senza carter di protezione o con protezioni danneggiate o senza dispositivi di sicurezza.
- 23) Fermare la lama prima di attraversare superfici diverse dall'erba.
- 24) Non lavorare col rasaerba sopra alla ghiaia che viene aspirata e centrifugata dalla lama, risultando molto pericolosa.
- 25) **Non fare nessun tipo di regolazione o pulizia col motore in moto, disinserire anche la candela.**
- 26) **Non fare controllare la macchina da nessuno mentre siete alla guida col motore in moto.**
- 27) L'utilizzatore è sempre responsabile dei danni arrecati a terzi.
- 28) Ogni utilizzo improprio comporta il decadimento della garanzia ed il declino di ogni responsabilità del costruttore.
- 29) Utilizzare la macchina con i deflettori parasassi.

- 30) I coltelli deformati o danneggiati devono essere sempre sostituiti, mai riparati.
- 31) Usare sempre ricambi e accessori originali Grillo.
- 32) Se dovete svuotare il serbatoio carburante eseguite l'operazione all'aperto.
- 33) **ATTENZIONE:** per ridurre il pericolo di incendio mantenere il vano motore, la marmitta, i collettori di scarico, la zona serbatoio e condotta carburante liberi da erba, foglie, polvere, ecc.
- 34) Non immagazzinare la macchina dentro un edificio dove i vapori del carburante possono arrivare a fiamme, scintille o fili elettrici scoperti.
- 35) Sostituire le marmitte usurate o danneggiate.
- 36) Immagazzinare il carburante in contenitori specificatamente costruiti con questo obiettivo.
- 37) Far raffreddare il motore prima di mettere la macchina in locali chiusi.

Questa macchina va sempre utilizzata conformemente alle raccomandazioni indicate in questo manuale. Il mancato rispetto di queste consegne solleva il costruttore da qualsiasi responsabilità.

Disinnestare la trasmissione degli accessori, spegnere il motore e disinserire la candela:

- a) **prima di pulire i punti ostruiti,**
- b) **prima di controllare o riparare il trinciaerba,**
- c) **dopo aver urtato un corpo estraneo (ispezionare l'organo di taglio per verificare che non sia danneggiato e ripararlo prima di continuare a farlo funzionare di nuovo),**
- d) **se la macchina comincia a vibrare in modo anomalo, effettuare immediatamente un controllo generale per individuare la ragione che provoca questa anomalia: se necessario, richiedere l'intervento di un professionista.**

Spegnere il motore e disinnestare la trasmissione:

- a) **prima di rifare il pieno,**
- b) **prima della pulitura.**

Smontaggio per sostituzione o affilatura della lama. Innanzitutto spegnete il motore, staccate la candela ed utilizzare i guanti per evitare i rischi di ferite.

Alla fine del taglio, portare il manettino acceleratore al minimo e spegnere il motore; se il motore è munito di rubinetto di chiusura del carburante, chiuderlo.

Mantenere correttamente avvitati i bulloni, dadi e viti per essere sicuri che il materiale sia in buone condizioni di funzionamento.

Se rimane benzina nel serbatoio, non staccare mai il materiale all'interno di un edificio in cui i vapori potrebbero innescare una fiamma o una scintilla. Lasciar raffreddare il motore prima di riporre l'apparecchio, qualunque sia il tipo di locale.

Verificare frequentemente lo stato della protezione posteriore di espulsione al fine di evitare qualsiasi deteriorazione. Sostituire gli elementi logori o danneggiati affinché la macchina funzioni con la massima sicurezza.

Sostituire le marmitte in cattivo stato.

Prima di iniziare il lavoro, assicurarsi sempre che la lama, i suoi bulloni e tutte le parti taglienti non siano logori o danneggiati. Sostituire la lama logora o danneggiata e i bulloni secondo la loro serie al fine di conservare l'equilibrio.

Lavorare unicamente alla luce del giorno o sotto una buona luce artificiale.

Rallentare sui pendii e nelle curve strette per evitare il ribaltamento o una perdita di controllo; prestare molta attenzione durante i cambiamenti di direzione sui pendii.

Rischi dovuti al terreno:

1. **Quando il terreno è molto inclinato;**
2. **In salita il rischio di caduta dell'operatore potrebbe provocare l'indietreggiare della macchina;**
3. **In discesa, il rischio di caduta dell'operatore potrebbe provocare il ruzzolare della macchina stessa;**
4. **Quando il terreno è ingombro di oggetti naturali o riportati: rocce, pietre mobili, ceppi d'albero, bottiglie, pezzi di ferro, paletti e qualsiasi corpo estraneo di qualunque natura; questi ostacoli possono trasformarsi in pericolosi proiettili e sollecitare l'organo di taglio in modo imprevedibile: devono essere evitati.**

Non utilizzare mai il trinciaerba i cui carter presentano protezioni difettose o senza dispositivo di sicurezza correttamente installato.

Non modificare le impostazioni dei giri del motore a sovraregime. Far funzionare il motore a velocità eccessiva, aumenta il rischio di incidenti sulle persone.

Per qualsiasi lavoro di taglio, utilizzare un casco antirumore o protezioni auricolari.

Prima di lasciare il posto di guida:

- a) **disinnestare la lama;**
- b) **spegnere il motore.**

Non percorrere spazi ghiaiosi o coperti di terra bruciata, in ogni caso, evitare il trasporto della macchina da un posto all'altro con l'organo di taglio ancora innestato.

Evitare il taglio:

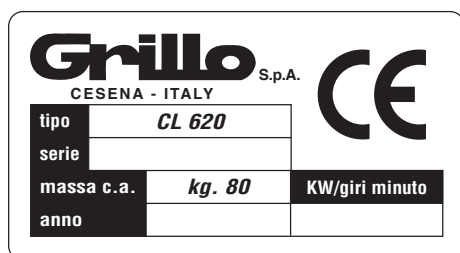
- a) **di fronte ai luoghi abitati;**
- b) **di fronte ai luoghi di passaggio;**
- c) **di fronte ai luoghi di sosta.**

Non lasciare utilizzare il trinciaerba da chi ne ignora le istruzioni.

Presentare la massima attenzione per non scivolare soprattutto sui pendii in cui l'erba è bagnata.

Per il trasporto con mezzi diversi dalla propria propulsione, il motore va spento.

IDENTIFICAZIONE E ASSISTENZA



IDENTIFICAZIONE

Il Grillo CL 620 è fornito di una targhetta, con il numero della macchina.

SERVIZIO ASSISTENZA

Questo manuale fornisce le indicazioni per l'uso del trinciaerba e per una corretta manutenzione di base, eseguibile dall'utilizzatore.

Per gli interventi non descritti in questo libretto, interpellare il Rivenditore di Zona.

RICAMBI

Si raccomanda di impiegare esclusivamente ricambi originali, gli unici che offrono caratteristiche di sicurezza e intercambiabilità.

Ogni richiesta deve essere corredata del numero di matricola della macchina e il numero di codice del pezzo da sostituire.

Per i ricambi del motore, attenersi a quanto indicato nel libretto specifico.

GARANZIA

La garanzia è fornita nei modi e nei limiti indicati nell'apposita cartolina.

Per quanto riguarda il motore e la batteria, valgono le condizioni previste dai rispettivi Produttori.

RICAMBI CHE SI CONSIGLIANO DI TENERE DI SCORTA

- N. 2 lame
- N. 2 viti lame
- N. 1 serie cinghie
- N. 1 filtro aria motore
- N. 1 filo acceleratore

CARATTERISTICHE TECNICHE

MOTORE:: BRIGGS & STRATTON QUANTUM XTL 60 190 cc.– 4 tempi a benzina, 4,4 kW (6,0 hp) provvisto di cilindro in ghisa.

AVVIAMENTO: a strappo con autoavvolgente.

TRASMISSIONE: idrostatica.

VELOCITA': variabile in continuo avanti max. 6 km/h, indietro max. 3,5 km/h.

CAPACITA' ORARIA: 2000 m_/h.

ALTEZZA DI TAGLIO: 20 – 50 – 80 – 100 con regolazione rapida dal manubrio.

LARGHEZZA DI TAGLIO: 620 mm.

RUOTE MOTRICI: con pneumatici artigliati 4.00-8 a 4 tele.

RUOTA ANTERIORE: con sistema di blocco dal manubrio per lavoro in costa senza affaticamento dell'operatore.

PIATTO DI TAGLIO: a scarico posteriore laterale.

VELOCITA' PERIFERICA LAMA: 64 m/sec.

SISTEMA DI TAGLIO: rotativo a una lama.

STEGOLA: con regolazione rapida in verticale e laterale dal manubrio.

DIMENSIONI: lunghezza 2100 mm, larghezza 720 mm, altezza 1050 mm.

PESO: 80 kg.

MESSA IN OPERA DELLA MACCHINA

- 1) Controllare l'integrità della macchina, che non abbia subito danni durante il trasporto.
- 2) Verificare i livelli olio, motore e trasmissione idrostatica.
- 3) Verificare la pressione dei pneumatici:
0,3 BAR ruote anteriori 4.00-8.
- 4) Ruotare la stegola di guida.
- 5) Montare il supporto ruotina anteriore e collegare il cavo bloccaggio ruotina (fig. 3 – fig. 4).

RODAGGIO - ATTENZIONE!!

Sostituire l'olio motore dopo le prime 5 ore di funzionamento.

Controllare che non vi siano perdite d'olio o viti lente, in particolare quelle di fissaggio della lama.

Dopo le prime ore di funzionamento registrare la tensione della cinghia motore piatto di taglio unitamente al freno (fig. 2 n° 1 – fig. 15).

ISTRUZIONI D'USO

Prima di avviare il motore controllare sempre:

- che l'olio nel motore sia a livello, fig. 5 (attenersi all'apposito libretto);
- che l'olio del motore idraulico sia a livello (fig. 6), il livello si trova a 12 mm sotto al piano inferiore della vaschetta)
- che la leva avanzamento sia in posizione folle (fig.2 n° 7);
- che le griglie di aspirazione per il raffreddamento del motore siano pulite (fig. 7):
- che il filtro aria sia ben pulito, fig. 2 n° 15 (attenersi all'apposito libretto);
- che il piatto tosaerba sia ben pulito;
- che le alette del motore idraulico siano pulite (fig. 8);
- che le lame siano ben affilate e saldamente fissate;
- che la vite centrale mozzo lama sia ben serrata (fig. 9).

Riempire il serbatoio di carburante servendosi di un imbuto munito di un filtro molto fine (fig. 2 n° 14).

AVVIAMENTO DEL MOTORE

- Spingere fino a fondo corsa il manettino acceleratore (fig. 2 n° 10)
- Se il motore è freddo azionare il dispositivo di starter pompando 3 volte sulla membranina (fig.7). Avviare il motore tirando con forza la maniglia dell'autoavvolgente (fig. 2 n°13).
- Una volta avviato il motore , aspettare qualche minuto per riscaldare il motore.

Nota: durante i trasferimenti è bene che il piatto di taglio sia in posizione di massima altezza.

INIZIO DEL LAVORO

- Scegliere l'altezza di taglio agendo sulla leva fig. 2 n° 8, accelerare opportunamente il motore, innestare la PTO (fig. 2 n° 1). Azionare dolcemente la leva avanzamento (fig. 2 n° 2) ed iniziare il lavoro. Per fermarsi lasciare la leva avanzamento, (fig. 2 n° 7) e la leva PTO (fig. 2 n° 1).
- La leva (fig. 2 n° 2) serve per scegliere la velocità di lavoro e anche per la retromarcia, spostandola indietro la macchina retrocede - azionarla dolcemente.

FRENO DI STAZIONAMENTO

Il freno di stazionamento si inserisce bloccando la leva con l'apposito fermo.

Registrare il freno agendo sul registro posto sulla leva (fig. 2 n° 12).

REGOLE UTILI PER IL BUON USO

- 1) Non forzare mai il motore: quando fuma dallo scarico, è sotto sforzo; bisogna rallentare.
- 2) Non tenere la macchina sotto la pioggia.
- 3) Affilare frequentemente le lame; il taglio sarà migliore e il motore forzerà di meno.
- 4) Durante la rasatura tenere il motore a massimo regime, regolare la velocità in base all'altezza dell'erba.
- 5) **Mantenere pulite le griglie sopra al motore e le alette di raffreddamento del motore idraulico (fig. 7 e fig. 8).**

POSIZIONI DI TAGLIO

Per regolare l'altezza di taglio si agisce sulla leva fig. 2 n° 8.

Il piatto può essere posizionato in 4 diverse posizioni di taglio da 35 a 100 mm.

In presenza di terreno accidentato, cunette o dossi, è conveniente operare con il piatto nella posizione di taglio più alta onde evitare urti da parte della lama.

MANUTENZIONE SPECIFICA

*TASSATIVO Prima di ogni utilizzazione accertarsi che la zona d'aspirazione per il raffreddamento e il cilindro motore siano privi di qualsiasi impurità. **IN CASO CONTRARIO, LA GARANZIA VERRÀ ANNULLATA.**

*Il motore

Consultare l'allegato Manuale e Manutenzione.

*Il trinciaerba

Dopo ogni utilizzazione pulire accuratamente il carter del taglio e rimuovere dal motore eventuali residui vegetali. Verificare la lama del taglio: questa deve essere sempre ben affilata per ottenere un taglio per quanto possibile netto e quindi una migliore prestazione del vostro trinciaerba.

Attenzione: se procedete all'affilatura della lama del taglio, verificate il suo equilibrio. Inoltre, ogni 25 ore di utilizzazione, lubrificare i cuscinetti, gli assi. Verificare regolarmente il serraggio dei bulloni in generale.

MANUTENZIONE E LUBRIFICAZIONE

ATTENZIONE!

Scollegare la candela prima di iniziare qualsiasi intervento di pulizia, manutenzione o riparazione. Indossare indumenti adeguati e guanti da lavoro.

LUBRIFICAZIONE

Non disperdere mai nell'ambiente oli esausti, benzina e ogni altro prodotto inquinante!

Un'efficiente manutenzione e una corretta lubrificazione contribuiscono a mantenere la macchina in perfetta efficienza.

MOTORE

Per gli intervalli di lubrificazione seguire le norme contenute nel libretto del motore; comunque è **indispensabile sostituire l'olio dopo le prime 5 ore di lavoro.**

La prima precauzione è che il motore sia correttamente manutenzionato con filtro aria, alette raffreddamento, testata pulita e l'olio motore a livello.

Controllare il filtro aria ogni 4 ore o anche più frequentemente se l'ambiente è molto polveroso.

Controllare la griglia a rete di aspirazione del raffreddamento del motore (fig. 5).

ASSALE IDROSTATICO

Controllare con il motore freddo la vaschetta di espansione, deve essere vuota, fig. 8.

Pulire frequentemente le alette di raffreddamento del motore idraulico, in estate, in presenza di molta polvere, ogni 4 ore di lavoro, fig. 8.

Sostituire l'olio dopo le prime 50 ore di lavoro, successivamente ogni 200 ore, utilizzare olio 10W30 quantità 1,85 lt. per la sostituzione procedere come segue:

- 1) Togliere i due tappi fig. 10.
- 2) Rimuovere, utilizzando un cacciavite, il tappo fig. 11.
- 3) Avvitare i due tappi fig. 10 (coppia di serraggio 13-17 N.m).
- 4) Inserire l'olio, rimontare il tappo fig. 11.
- 5) Verificare che la vaschetta di espansione sia vuota, il livello è di 12 mm sotto al piano inferiore della vaschetta di espansione fig. 6.

ASSE RUOTE ANTERIORI

Lubrificare con grasso ogni 20 ore la ruota anteriore fig. 12.

Lubrificare le articolazioni della stegola e i cavi.

FILTRO ARIA

Controllare il filtro aria ogni 4 ore od anche più frequentemente se l'ambiente è molto polveroso (fig. 2 n°15).

CONTROLLO LAME E PIATTO

Una lama non affilata strappa l'erba, conferendogli un brutto aspetto; é necessario che l'affilatura sia sempre eseguita sui taglienti delle due lame. Per smontare una lama, afferrarla saldamente, utilizzando guanti da lavoro, svitare la vite centrale, attenzione la vite è destra (fig. 9 n° 3); affilare entrambi i taglienti per mezzo di una mola a grana media e verificare l'equilibratura della lama sorreggendola con un tondo infilato nel foro centrale.

ATTENZIONE!

Serrare bene a fondo la vite di fissaggio (fig. 9 n° 3). Sostituire sempre i coltelli danneggiati o storti; non tentare mai di ripararli! Per il montaggio seguire lo schema fig. 9. **USARE SEMPRE LAME ORIGINALI!** Verificare sempre visivamente che i bulloni della lama non siano consumati o danneggiati.

CINGHIA MOTORE - LAMA

La tensione si registra agendo sul registro fig. 2 n° 1, posto sulla leva. In lavoro la molla si deve allungare di 100 mm. Se si verifica l'attorcigliamento o la fuoriuscita della cinghia controllare l'allineamento delle puleggie.

Attenzione: quando si posizionano i guidacinghia, occorre avvicinarli alla cinghia (fig. 13). Quando la cinghia è in tensione non deve toccare le guide.

CINGHIE MOTORE - ASSALE IDROSTATICO

Controllare la tensione della molla, che in lavoro si deve allungare di 17 mm. Per la sostituzione occorre sganciare la molla di tensione (fig. 14).

ROTAZIONE LAMA

Per innestare e disinnestare la rotazione della lama si agisce sulla leva fig. 2 n° 1 (abbandonando la leva la lama si arresta).

Durante l'innesto il motore deve essere a metà regime e la macchina deve essere al di fuori dell'erba da tagliare. Il disinnesto avviene rilasciando la leva, fig. 2 n° 1.

La lama deve arrestarsi entro 5 secondi, se ciò non avvenisse occorre registrare il freno agendo sul registro fig. 15. N.B. Questa operazione va eseguita da un centro assistenza autorizzato.

SOSTITUZIONE CINGHIE

La trasmissione del movimento del motore alla trasmissione idraulica e dal motore alla lama è ottenuta per mezzo di due cinghie trapezoidali. **Sostituire le cinghie non appena manifestano segni di usura!**

La loro sostituzione e successive regolazioni sono abbastanza complesse ed è indispensabile venga affidata ad un Centro Assistenza Autorizzato.

Per la cinghia motore piatto di taglio, occorre smontare i 2 guidacinghia a lato della puleggia (fig. 13) e sganciare la molla tendicinghia (fig. 16) e smontare le protezioni (fig. 16 pos. A).

Sganciare il freno lame e relativa molla (**Nota:** la molla va riagganciata nell'anello).

Per la cinghia motore assale idrostatico occorre smontare il supporto guidacinghie (fig. 17).

USARE SEMPRE CINGHIE ORIGINALI!

DISPOSITIVO DI SBLOCCO DELLA TRAZIONE

Il dispositivo di sblocco della trazione è posizionato nella parte posteriore della macchina (fig. 18), se si verificasse un'avaria alla macchina, per poterla spostare a mano posizionare la levetta nella posizione folle (fig. 18, pos. A). Nella posizione (B) la macchina è in lavoro.

GUIDA ALL'IDENTIFICAZIONE DEGLI INCONVENIENTI:

INCONVENIENTE	
CAUSA	RIMEDIO
	Avviamento difficoltoso o funzionamento irregolare del motore
– Problemi di carburazione	– Pulire o sostituire il filtro dell'aria – Regolare il carburatore (attenersi al libretto motore)
– Depositi o impurità nel carburante	– Svuotare il serbatoio ed impiegare benzina fresca – Controllare ed eventualmente sostituire il filtro benzina – Controllare che il foro di sfiato sul tappo del serbatoio non sia otturato.

- Insufficienza nell'impianto d'accensione
- Controllare il fissaggio del cappuccio della candela
- Verificare la pulizia e la corretta distanza fra gli elettrodi

Calo di rendimento del motore durante il taglio

- Velocità di avanzamento elevata in rapporto all'altezza di taglio
- Diminuire la velocità
- Alzare di qualche tacca il piatto di taglio

Taglio irregolare

- Piatto di taglio non parallelo al terreno
- Inefficienza della lama
- Controllare la pressione dei pneumatici
- Controllare il corretto montaggio della lama
- Affilare o sostituire le lame
- Controllare la tensione della cinghia motore piatto

Vibrazioni durante il funzionamento

- Lame squilibrate
- Fissaggi allentati
- Equilibrare la lama o sostituire le lamette se danneggiate
- Verificare e serrare le viti di fissaggio delle lame, del motore e del telaio

LA MACCHINA NON STA IN FOLLE

Registrare il dispositivo (fig. 19) allentare il controdado e agire sulla vite centrale.

FINE LAVORO

Terminata la rasatura, disinnestare la lama, ed effettuare il percorso di ritorno con il piatto di taglio in posizione di massima altezza.

Per fermarsi abbandonare la leva avanzamento in posizione STOP (fig. 2 n° 2), portare il manettino acceleratore nella posizione di STOP (fig. 2 n° 10), spegnere il motore.

RIMESSAGGIO E INATTIVITÀ PROLUNGATA

Riporre la macchina in un ambiente asciutto, al riparo dalle intemperie e, possibilmente, ricoprirla con un telo e seguire le indicazioni contenute nel libretto di istruzioni del motore; lubrificare inoltre tutte le articolazioni.

Utilizzare l'additivo conservante per benzina verde.

Se la macchina non viene utilizzata per più di 30 giorni occorre svuotare del carburante il motore onde prevenire la formazione di depositi gommosi nel sistema di alimentazione o in parti vitali del carburatore.

Per proteggere il motore si raccomanda di utilizzare l'additivo per carburante Briggs&Stratton, acquistabile presso tutti i centri di assistenza autorizzati Briggs&Stratton. Miscelare l'additivo al carburante nel serbatoio o nel recipiente del carburante. Far girare il motore per un po' per far circolare l'additivo nel carburatore. Il motore ed il carburatore possono essere conservati fino a 24 mesi.

Nota: Se non si utilizzano additivi oppure il motore utilizza benzina contenente alcol, svuotare il serbatoio del carburante, facendo funzionare il motore finché non finisce il carburante.

HACHEUSE HYDROSTATIQUE “GRILLO CL 620”

Cher Client,

Nous vous remercions de la confiance et de la préférence que vous avez bien voulu accorder à notre Grillo CL 620. Nous sommes certains que l'utilisation de votre nouvelle tondeuse/hacheuse répondra entièrement à vos exigences.

Pour un emploi optimal et pour son entretien au fil du temps, nous vous demandons de lire attentivement et de suivre scrupuleusement les indications contenues dans cette brochure, ce qui vous permettra d'obtenir d'excellents résultats et de sauvegarder votre investissement.

Nous vous demandons également de conserver ce manuel qui devra toujours accompagner la machine.

ATTENTION! Lire attentivement les instructions avant de mettre en marche le moteur. Les précautions suivantes sont importantes pour la sécurité de l'opérateur!

AVERTISSEMENTS.

La prudence est la meilleure arme pour la prévention des accidents!

Nous vous indiquons ci-après les précautions à suivre lors de l'utilisation de la machine et vous demandons de les lire attentivement avant de commencer le travail.

L'utilisation inadéquate de la tondeuse/hacheuse et de son équipement peuvent être dangereux; pour réduire ces possibilités de danger, veuillez respecter les indications suivantes:

- 1) Lire entièrement ce manuel avant l'activation et la mise en mouvement de la machine.
- 2) Respecter avec une attention particulière les avertissements et les étiquettes de sécurité placées sur le pourtour de la machine.
- 3) La rotation de la lame de la tondeuse est très dangereuse: **ne jamais mettre les mains ou les pieds sous le plateau.**
- 4) Avant de confier la tondeuse à d'autres personnes, il faut les mettre au courant des normes de sécurité, et du mode d'emploi.
- 5) Avant de mettre la machine sous tension, vérifier que personne ne se trouve tout près de la machine, spécialement les enfants,
- 6) Avant de faire marche arrière, contrôler qu'il n'y ait personne et aucun obstacle.
- 7) N'accepter aucun passager sur la tondeuse.
- 8) Ne pas utiliser la tondeuse quand on est fatigués ou lorsque on a bu des boissons alcoolisées.
- 9) Contrôler le terrain avant la tonte pour supprimer les cailloux, les morceaux de bois ou d'autres corps qui pourraient être projetés et se révéler très dangereux.
- 10) **Avant de commencer le travail, mettre des vêtements de travail appropriés, des gants, des bottes et des lunettes.**
- 11) Cette machine n'est pas homologuée pour la circulation routière.
- 12) Sur les chemins irréguliers, voyager à vitesse réduite.
- 13) Sur de pentes, en descente, modérer la vitesse.
- 14) Ne pas faire travailler les enfants: l'usage est interdit aux mineurs de 16 ans.
- 15) Ne pas faire marche arrière avec le moteur accéléré.
- 16) Ne pas actionner brusquement le levier d'avancement et de marche arrière.
- 17) Pour éviter le danger d'exhalations toxiques, ne pas faire tourner le moteur dans un local fermé.
- 18) **Avant de démarrer le moteur, remplir le réservoir de carburant.**
Eteindre toujours le moteur avant de faire le plein de combustible : ne pas effectuer cette opération dans des locaux fermés. Rester loin des étincelles et des flammes et ne pas fumer!
Ne pas quitter le bouchon du réservoir quand le moteur est chaud.
Replacer, de manière fiable, le bouchon du réservoir et des conteneurs de carburant.
- 19) Eviter les fuites de combustible; après avoir rempli le réservoir nettoyer soigneusement les fuites sur la tondeuse avant d'activer le moteur: ne créer aucune source d'injection jusqu'à totale dispersion des vapeurs de l'essence sortie.
- 20) Ne pas utiliser la tondeuse près des fossées ou sur les accotements qui peuvent s'écrouler sous le poids de la machine, en particulier lorsque la surface est meuble ou mouillée.
- 21) Dans les descentes tourner toujours très lentement.
- 22) **Ne pas modifier ni désactiver les dispositifs de sécurité, ne pas utiliser la tondeuse sans le carter de protection ou avec des protections endommagées ou sans les dispositifs de sécurité.**
- 23) **Avant de traverser des surfaces différentes de l'herbe, déconnecter la lame.**
- 24) Ne jamais utiliser la tondeuse sur le gravier car il serait aspiré et centrifugé par la lame, ce qui est très dangereux.

- 25) **N'effectuer aucun réglage ou nettoyage avec le moteur en marche, déconnecter aussi la bougie d'allumage.**
- 26) **Ne jamais faire contrôler la machine lorsque le conducteur est au volant avec le moteur en marche.**
- 27) L'utilisateur est toujours responsable des dommages occasionnés aux tiers.
- 28) Toute utilisation inadéquate entraîne la suspension de la garantie et la suppression de la responsabilité du Constructeur.
- 29) Utiliser la machine avec les déflecteurs anti-cailloux.
- 30) Les couteaux déformés ou endommagés doivent être toujours remplacés et jamais réparés.
- 31) Utiliser toujours des pièces de rechange et es accessoires d'origine Grillo.
- 32) Exécuter l'opération de vidange du réservoir de carburant en plein air.
- 33) **ATTENTION!** Pour réduire le danger d'incendie, éliminer les herbes, feuilles, poussière, etc. qui pourraient obstruer le logement du moteur, la marmite, les collecteurs de décharge, la zone du réservoir et la tuyauterie du carburant.
- 34) Ne pas stocker la machine dans un édifice où les vapeurs du carburant pourraient arriver jusqu'aux flammes, aux étincelles ou aux fils électriques dénudés.
- 35) Remplacer les marmites usées ou endommagées.
- 36) Stocker le carburant dans des jerricans spécifiquement prévus à cet effet.
- 37) Laisser refroidir le moteur avant de stocker la machine dans des locaux fermés.

Cette machine doit toujours être utilisée conformément aux recommandations indiquées dans ce manuel. Le constructeur décline toute responsabilité au cas où lesdites recommandations ne seraient pas respectées.

Débrancher la transmission des accessoires, arrêter le moteur et déconnecter la bougie d'allumage:

- a) **avant de nettoyer les points obstrués;**
- b) **avant de contrôler ou de réparer la tondeuse;**
- c) **après le choc avec un corps étranger (contrôler l'organe de coupe pour vérifier s'il est endommagé et procéder à la réparation avant de continuer à utiliser la machine);**
- d) **Si la machine produit des vibrations anormales, procéder immédiatement à un contrôle général afin de déterminer la cause de cette anomalie: s'il est nécessaire, demander l'intervention d'un technicien professionnel.**

Arrêter le moteur et débrancher la transmission:

- a) **avant l'appoint de combustible;**
- b) **avant le nettoyage.**

Démontage pour le remplacement ou pour l'affûtage de la lame.

Tout d'abord arrêter le moteur, déconnecter la bougie d'allumage et utiliser les gants pour éviter le risque de blessures.

A la fin du travail, porter l'accélérateur au minimum et arrêter le moteur; si le moteur est équipé d'un robinet pour la fermeture du combustible, fermez-le.

Maintenir correctement vissés les boulons, les écrous et les vis pour être sûr que le matériel marche bien.

S'il reste du combustible dans le réservoir, ne jamais déconnecter le matériel à l'intérieur d'un édifice, où les vapeurs pourraient causer une flamme ou une étincelle. Laisser refroidir le moteur avant de stocker la machine, indépendamment du type de dépôt.

Vérifier souvent la condition de la protection arrière d'éjection, pour éviter la détérioration.

Remplacer les éléments usés ou endommagés afin que la machine travaille en conditions de sécurité.

Remplacer les pots d'échappement endommagés.

Avant de commencer le travail, assurez-Vous que la lame, les boulons et toutes les éléments tranchants ne soient pas usés ou endommagés. Remplacer la lame usée ou endommagée et les boulons, en respectant la série relative, pour maintenir l'équilibre.

Travailler seulement avec la lumière du jour ou sous une bonne lumière artificielle.

Ralentir sur les pentes et les courbes étroites pour éviter le renversement ou une perte de contrôle; faire attention pendant le changement de direction sur les pentes.

Risques causés par le terrain:

1. **quand le terrain est très incliné;**
2. **en côte le risque de chute du conducteur peut causer le reculement de la machine;**
3. **en descente le risque de chute du conducteur peut causer la dégringolade de la machine;**
4. **quand le terrain est encombré d'obstacles: pierres, pierres mobiles, bûches d'arbre, bouteilles, morceaux de fer, poteaux ou tout corps étranger, il faut les éviter, car la machine pourrait les transformer en des dangereux projectiles et il pourraient fatiguer l'organe de coupe de manière imprévisible.**

Ne pas utiliser les tondeuses dont les carters présentent des protections défectueuses ou sont démunis des dispositifs de sécurité correctement installés.

Ne pas modifier les tours de moteur établis à régime maximum. Faire fonctionner le moteur à une vitesse excessive, augmente le risque d'accidents et de dommages aux personnes.

Pour tous les travaux de coupe, utiliser un casque anti-bruit et les protections auriculaires.

Avant d'abandonner le poste de conduite:

- a) **désebrayer la lame;**
- b) **arrêter le moteur.**

Ne pas traverser des terrains graveleux ou couverts de terre brûlée; éviter toujours de déplacer la machine d'un endroit à un autre avec l'organe de coupe encore branché.

Eviter le coupe:

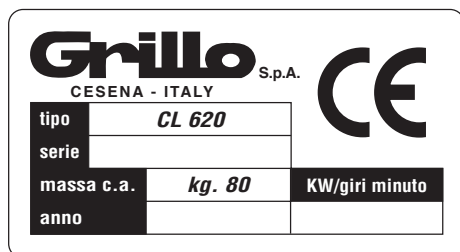
- a) **près des lieux habités;**
- b) **près des lieux de passage;**
- c) **près des lieux de stationnement.**

Ne pas permettre que la tondeuse/hacheuse soit utilisés par des personnes qui ne connaissent pas le mode d'emploi.

Faire attention pour éviter de glisser, surtout sur les pentes lorsque l'herbe est mouillée.

Lorsque l'on transporte la machine par des autres moyens, le moteur doit être éteint.

IDENTIFICATION ET ASSISTANCE



IDENTIFICATION

La machine **Grillo CL 620** est munie d'une plaquette avec le numéro de série de la machine.

SERVICE ASSISTANCE

Ce Manuel fournit toutes les indications utiles sur l'emploi de la tondeuse et sur un entretien de base correct pouvant être effectué par l'opérateur.

Pour les interventions non décrites dans cette brochure, s'adresser au Revendeur autorisé le plus proche.

PIECES DE RECHANGE

Nous recommandons d'utiliser exclusivement des pièces de rechange d'origine, les seules qui offrent des caractéristiques de sécurité et d'interchangeabilité.

Dans toute commande il doit être indiqué le numéro de série de la machine ainsi bien que la référence de la pièce à remplacer.

Pour les pièces de rechange relatives au moteur, respecter les indications contenues dans le manuel spécifique.

GARANTIE

La garantie est assurée selon les modes et les limites indiquées sur le coupon correspondant.

En ce qui concerne le moteur et la batterie, seules les conditions prévues par les Fabricants respectifs sont valables.

PIECES DE RECHANGE QUE NOUS CONSEILLONS D'AVOIR EN RESERVE

- * 2 lames
- * 2 vis de lames
- * 1 série de courroies
- * 1 filtre air moteur
- * 1 fil accélérateur

CARACTERISTIQUES TECHNIQUES

MOTEUR : BRIGGS & STRATTON QUANTUM XTL 60 190 cc.– 4 temps à essence, 4,4 kW (6,0 HP). Avec cylindre en fonte.

DEMARRAGE : lanceur avec enroulement automatique.

TRANSMISSION: hydrostatique.

VITESSE: avec variation continue avant max. 6 km/h, arrière max. 3,5 km/h.

CAPACITÉ HORAIRE: 2000 m_/h.

HAUTEUR DE COUPE: 20-50-80-100 avec régulation rapide par le mancheron.

LARGEUR DE COUPE: 620 mm.

ROUES MOTRICES: roues barrettes 4.00 – 8 à 4 toiles.

ROUES AVANT : avec système de blocage accionnée du mancheron pour le travail en pente avec facilitation pour l'opérateur.

PLATEAU DE COUPE: à déchargement latéral/postérieur.

VITESSE PERIPHERIQUE LAME: 64 m/sec.

SYSTÈME DE COUPE: rotatif à 1 lame.

MANCHERON: avec régulation rapide en vertical et latéral par le mancheron.

DIMENSIONS: longueur 2100 mm, largeur 720 mm, hauteur 1050 mm.

POIDS : 80 kg.

MISE EN SERVICE DE LA MACHINE

- 1) Contrôler que la machine soit intacte et qu'elle n'ait pas été endommagée durant le transport.
- 2) Vérifier les niveaux d'huile du moteur et de la transmission hydrostatique.
- 3) Vérifier la pression des pneus:
0,3 BAR roues AV. 4.00 – 8.
- 4) Tourner le mancheron.
- 5) Monter le support de la roue du plateau et connecter les câbles du blocage (fig. 3, fig. 4).

RODAGE - ATTENTION!!

Vidanger l'huile moteur et le filtre après les 5 premières heures de travail. Contrôler qu'il n'y ait aucune fuite d'huile ni des vis desserrées, en particulier celles de fixation de la lame.

Après les premières heures de travail régler la tension de la courroie du plateau de coupe et le frein (fig. 2 n°1 - fig. 15).

MODE D'EMPLOI

Avant de démarrer le moteur contrôler toujours:

- que l'huile dans le moteur soit au niveau désiré, fig. 5 (faire référence au manuel moteur);
- que l'huile du moteur hydraulique soit au niveau désiré (fig. 6); (le niveau correct est 12 mm au-dessous du fond de la cuvette).
- que le levier d'avancement soit au point mort (fig. 2 n°7);
- que les grilles d'aspiration pour le refroidissement du moteur soient propres (fig. 7);
- que le filtre à air soit bien propre, fig. 2 n°15 (faire référence au manuel moteur);
- que le disque de la tondeuse soit bien propre;
- que les ailettes du moteur hydraulique soient bien propres (fig. 8);
- que les lames soient bien affûtées et solidement fixées;
- que la vis centrale du moyeu lame soit bien serrée (fig. 9).

Remplir le réservoir de carburant en se servant d'un entonnoir muni d'un filtre très fin (fig. 2 n° 14).

DEMARRAGE DU MOTEUR

- Pousser jusqu'à la mi-course la manette de l'accélérateur (fig. 2 n° 10).
 - Si le moteur est froid, actionner le dispositif de starter (pomper trois fois la membrane fig. 7). Mettre le moteur en marche en tirant avec force la poignée du lanceur (fig. 2 n°13).
 - Lorsque le moteur a démarré, attendre quelques minutes pour réchauffer le moteur.
- Important: durant les transferts, nous conseillons de placer le disque de coupe sur la position de hauteur maximale.

DEBUT DU TRAVAIL

- Choisir la hauteur de coupe à l'aide du levier (fig. 2 n. 8), accélérer convenablement le moteur; enclencher la prise de force (fig. 2 n. 1). Actionner doucement le levier d'avancement (fig. 2 n. 2) et commencer le travail. Pour s'arrêter laisser le levier d'avancement (fig. 2 n°7) et le levier PTO (fig. 2 n°1).
- Le levier (fig. 2 n. 2) sert pour choisir la vitesse de travail et pour la marche AR.: si on le déplace vers l'arrière, la machine recule. Actionner toujours doucement ce levier.

FREIN DE STATIONNEMENT

Pour insérer le frein de stationnement, bloquer le levier à l'aide du dispositif approprié.

Pour régler le frein de stationnement modifier les registres qui se trouve sur le levier (fig.2 n°12).

REGLES UTILES POUR LE BON USAGE

- 1) Ne jamais mettre sous effort le moteur: lorsque de la fumée sort du tuyau d'échappement, le moteur est sous effort. Ralentir.
- 2) Ne pas laisser la machine sous la pluie.
- 3) Affûter fréquemment les lames; la coupe sera meilleure et le moteur ne sera pas soumis à effort.
- 4) Pendant la tonte le moteur doit tourner à plein régime; régler la vitesse en fonction de la hauteur de l'herbe.
- 5) **Faire en sorte que les grilles au-dessus du moteur et les ailettes de refroidissement du moteur hydraulique (fig. 7 et fig. 8) soient toujours propres.**

POSITIONS DE COUPE

Pour régler la hauteur de coupe utiliser le levier (fig. 2 n. 8).

Le plateau peut être réglé sur 4 différentes positions de coupe, de 35 à 100 mm.

En présence d'un terrain accidenté, de cassis ou dos-d'âne, il convient d'agir avec le disque dans la position de coupe la plus haute pour éviter les chocs de la lame.

ENTRETIEN SPÉCIFIQUE:

* **PÉREMPTOIRE** Avant d'utiliser la machine, contrôler que la zone d'aspiration pour le refroidissement et le cylindre moteur ne contiennent pas d'impuretés.

DANS LE CAS CONTRAIRE LA GARANTIE SERA ANNULÉE.

* **Le moteur**

Consulter le manuel annexe pour l'entretien.

* **La tondeuse/hacheuse**

Après chaque utilisation, nettoyer soigneusement le carter de coupe et enlever des éventuels résidus végétaux sur le moteur. Vérifier la lame de coupe: elle doit être toujours bien tranchante, pour obtenir une coupe nette et une meilleure performance de Votre tondeuse.

Attention: quand Vous affûtez la lame de coupe, vérifiez son équilibre. Lubrifier les roulements et les essieux toutes les 25 heures d'utilisation. Vérifier régulièrement le serrage des boulons en général.

ENTRETIEN ET LUBRIFICATION

ATTENTION!

Déconnecter la bougie avant de procéder à toute opération de nettoyage, de maintenance ou de réparation.

Mettre des vêtements appropriés et des gants de travail.

GRAISSAGE

Ne jamais jeter dans la nature les huiles usées, l'essence et tout autre produit polluant!

Une maintenance fiable et un graissage correct contribuent à maintenir la tondeuse en parfait état de marche.

MOTEUR

Respecter les normes contenues dans le manuel du moteur en ce qui concerne les intervalles de graissage; **il est toutefois indispensable de vidanger l'huile après les 5 premières heures de travail.**

Première précaution à prendre: le moteur doit être correctement entretenu avec un filtre à air, des ailettes de refroidissement, une tête propre et l'huile moteur au niveau voulu.

Contrôler le filtre à air toutes les 4 heures ou même plus fréquemment si l'environnement est très poussiéreux.

Contrôler la grille d'aspiration du refroidissement du moteur (fig. 5).

ESSIEU HYDROSTATIQUE

Le moteur froid, contrôler le réservoir à expansion, qui doit être vide (fig. 8).

Nettoyer fréquemment les ailettes de refroidissement du moteur hydraulique: toutes les 4 heures de travail durant l'été, compte tenu de la présence importante de poussière (fig. 8).

Vidanger l'huile après les 50 premières heures de travail, ensuite toutes les 200 heures; utiliser uniquement de l'huile 10W30, quantité 1,85 litres. Pour exécuter cette opération, il est conseillé de vidanger suivant ces indications:

- 1) Retirer les deux bouchons fig. 10.
- 2) Retirer le bouchon fig. 11, à l'aide d'un tournevis.
- 3) Visser les deux bouchons fig. 10 (couple de serrage 13-17 N.m).
- 4) Insérer l'huile et visser le bouchon fig. 11.
- 5) Vérifier que la cuvette à expansion soit vide, le niveau correct est 12 mm au-dessous du fond de la cuvette (fig. 6).

ESSIEU DES ROUES AVANT

Graisser toutes les 20 heures la roue avant (fig. 12).
Lubrifier les articulations du mancheron et les câbles.

FILTRE A AIR

Contrôler le filtre à air toutes les 4 heures ou plus fréquemment si le milieu est très poussiéreux (fig. 2 n°15).

CONTROLE DES LAMES ET DU PLATEAU

Une lame non affûtée arrache le gazon et produit une tonte irrégulière. Il faut que l'affûtage des lames soit toujours effectué sur les tranchants des deux lames. Pour démonter une lame, la saisir avec force en utilisant des gants de travail et dévisser la vis centrale. Attention! La vis a un filetage à droite (fig. 9 n. 3); affûter les deux tranchants avec une meule à grain moyen et vérifier l'équilibrage de la lame en la soutenant avec un fer rond enfilé dans le trou central.

ATTENTION!

Serrer bien à fond la vis de fixation (fig. 9 n. 3).

Remplacer toujours les couteaux abîmés ou tordus; ne jamais les réparer! Pour le montage respecter le schéma fig. 9. UTILISER TOUJOURS DES COUTEAUX D'ORIGINE! Vérifier toujours que les boulons des couteaux ne soient pas abîmés ou endommagés.

COURROIE MOTEUR – LAME

Régler la tension par le dispositif de réglage fig. 2 n°1, qui se trouve sur le levier. Pendant le travail le ressort doit s'allonger de 100 mm. Si l'on constate l'entortillement ou la sortie de la courroie, contrôler l'alignement des poulies.

Attention! Lorsqu'on place les galets de renvoi, il faut les rapprocher de la courroie (fig. 13). Quand la courroie est en tension, elle ne doit pas toucher les galets.

COURROIE DU MOTEUR – ESSIEU HYDROSTATIQUE

Contrôler la tension du ressort : pendant le travail il doit s'allonger de 17 mm. Pour la remplacer, décrocher le ressort de tension (fig. 14).

ROTATION DE LA LAME

Pour activer et désactiver la rotation de la lame, intervenir sur le levier fig. 2 n. 1 (en laissant le levier la lame s'arrête).

Pendant le temps d'activation de la lame, le moteur doit être à mi-régime et la machine doit se trouver hors du gazon à couper. Pour désactiver la lame, laisser le levier fig. 2 n.1.

La lame doit s'arrêter en 5 secondes; dans le cas contraire, régler le frein avec le dispositif de réglage fig. 15.

N.B. Cette opération doit être réalisée dans un Centre d'Assistance autorisé.

REPLACEMENT DES COURROIES

La transmission du mouvement du moteur à la transmission hydraulique et à la lame est assurée par deux courroies trapézoïdales. **Remplacer les courroies dès qu'elles manifestent des signes d'usure!**

Les remplacement et les réglages successifs étant assez complexes, il faut donc confier ces opérations à un Centre d'Assistance autorisé.

Pour la courroie du moteur du plateau de coupe, il faut démonter les 2 galet de renvoi à côté de la poulie (fig. 13), ensuite décrocher le ressort de tension de la courroie (fig. 16) et démonter les protections (fig. 16 A).

Décrocher le frein lames et le ressort (Note: le ressort doit être accroché dans l'anneau).

Pour la courroie du moteur essieu hydrostatique il faut démonter le support galet renvoi (fig. 17).

UTILISER TOUJOURS DES COURROIES D'ORIGINE!

DISPOSITIF DE DEBLOCAGE DE LA TRACTION

Le dispositif de déblocage de la traction est placé dans la partie arrière de la machine fig. 18; si la machine tombe en panne, placer le levier en point mort (fig. 18, A) pour pouvoir la déplacer la machine. Dans la position (B) la machine est en service.

IDENTIFICATION DES INCONVENIENTS:

INCONVENIENT	
CAUSE	REMEDE
– Problèmes de carburation	Démarrage défectueux ou fonctionnement irrégulier du moteur – Nettoyer ou remplacer le filtre à air. – Régler le carburateur (respecter les indications du Manuel moteur).

- Dépôts ou impuretés dans le carburant
- Le groupe allumage est insuffisant
- Vider le réservoir et le remplir d'essence neuve.
- Contrôler et remplacer éventuellement le filtre à essence.
- Contrôler que le reniflard sur le bouchon du réservoir ne soit pas obstrué.
- Contrôler la fixation du capuchon de la bougie.
- Vérifier le nettoyage et la distance correcte entre les électrodes.

Baisse de rendement du moteur durant la coupe

- Vitesse d'avancement élevée par rapport à la hauteur de coupe.
- Réduire la vitesse.
- Elever de quelques crans le disque de coupe.

Coupe irrégulière

- Plateau de coupe non parallèle au terrain
- Inefficacité des lames
- Contrôler la pression des pneus.
- Contrôler que le montage des lames soit correct.
- Affûter ou remplacer les lames.
- Contrôler la tension de la courroie moteur - plateau de coupe.

Vibrations durant le fonctionnement

- Lames déséquilibrées
- Fixations desserrées
- Equilibrer la lame ou remplacer les lames endommagées.
- Vérifier et serrer les vis de fixation des lames, du moteur et du châssis.

LA MACHINE NE TIENT PAS LE POINT MORT

Régler le dispositif (fig. 19) desserrer le contre-écrou et intervenir sur la vis centrale.

FIN DE LA TONTE

Après la tonte déconnecter la lame et effectuer le parcours de retour avec le plateau de coupe en position de hauteur maximale.

Pour s'arrêter: laisser le levier d'avancement sur la position "STOP" (fig. 2 n. 2), conduire l'accélérateur dans la position de STOP fig. 2 n°10 pour arrêter le moteur.

MISE EN DEPOT ET INACTIVITE PROLONGEE

Placer la machine dans un milieu sec, à l'abri des intempéries et, si possible, la recouvrir d'une bâche. Respecter les indications contenues dans le livret d'instructions du moteur; lubrifier également toutes les articulations.

Utiliser l'additif stabilisateur de carburant pour essence sans plomb.

Si l'on prévoit de stocker la machine pendant plus de 30 jours, il faut vidanger le carburant du moteur pour prévenir la formation de dépôts gommeux dans le système d'alimentation ou sur des pièces vitales du carburateur.

Pour la protection du moteur, nous recommandons l'emploi de l'additif stabilisateur de carburant Briggs&Stratton disponible dans toute Station Service Agréée Briggs&Stratton. Ajouter le stabilisateur au réservoir de carburant ou dans un réservoir de stockage. Faire tourner quelques instants le moteur pour faire circuler le stabilisateur dans le carburateur. Le moteur et le carburateur peuvent alors être remisée pendant 24 mois au maximum.

Note: Si l'on n'emploie pas le stabilisateur ou si l'on utilise de l'essence à l'alcool, vidanger toute l'essence du réservoir et faire tourner le moteur jusqu'à ce qu'il ne s'arrête et le carburant ne soit terminé.

HYDROSTATISCHER RASENMÄHER “CL 620”

Sehr geehrter Kunde!

Wir danken Ihnen für Ihr Vertrauen, und beglückwünschen Sie zu Ihrem neuen Grillo CL 620.

Damit Sie lange Freude an Ihrem Mäher haben und dieser immer einwandfrei funktioniert, bitten wir Sie, dieses Handbuch aufmerksam durchzulesen und die darin enthaltenen Hinweise genau zu befolgen. Denn eine einwandfrei Wartung und eine korrekte Benutzung sind unabdingbare Voraussetzungen für einen problemlosen Betrieb und ein schönes Schnittbild.

Bewahren Sie das Handbuch sorgfältig auf. Es ist ein wichtiger Bestandteil der Maschinenausstattung.

ACHTUNG! Lesen Sie vor dem Anlassen des Motors die folgenden Hinweise zum Schutz Ihrer persönlichen Sicherheit genau durch!

UNFALLVERHÜTUNGSNORMEN

Vorsicht ist die wichtigste Maßnahme, um Unfälle zu vermeiden.

Bevor Sie Ihren neuen Mäher in Betrieb nehmen, bitten wir Sie, die folgenden betriebsrelevanten Hinweise aufmerksam durchzulesen.

Ein unsachgemäßer Gebrauch des Mähers und dessen Ausrüstung kann gefährlich sein. Beachten Sie daher bitte die folgenden Vorsichtsmaßnahmen:

- 1) Dieses Handbuch vor der ersten Benutzung des Mähers genau und ganz durchlesen.
- 2) Die auf dem Mäher angebrachten Plaketten und Hinweise besonders beachten.
- 3) Hände oder Füße niemals unter den Schneidmesser bringen - Verletzungsgefahr!
- 4) Soll der Mäher von einer anderen Person benutzt werden, ist diese genau im Gebrauch der Maschine und über die Unfallverhütungsmaßnahmen zu unterweisen.
- 5) Vergewissern Sie sich vor dem Einschalten der Maschine, dass sich keine anderen Personen und **vor allem keine Kinder in der Nähe aufhalten.**
- 6) Vergewissern Sie sich vor dem Anfahren im Rückwärtsgang immer, dass keine anderen Personen oder Hindernisse in der Nähe sind.
- 7) Dieser Mäher ist kein Transportmittel bzw. Spielzeug - keine „Passagiere“ befördern.
- 8) Das Gerät auf keinen Fall benutzen, wenn Sie unter Alkoholeinfluss stehen und/oder müde sind.
- 9) Kontrollieren Sie den Boden vor dem Mähen auf Steine, Stöcke und andere Gegenstände, die die Maschine beschädigen oder von dieser weggeschleudert werden und jemanden verletzen könnten.
- 10) **Beim Arbeiten immer geeignete Arbeitskleidung, Handschuhe, Schuhe und Schutzbrille tragen.**
- 11) Diese Maschine ist nicht für den Verkehr auf öffentlichen Straßen zugelassen.
- 12) Auf holprigen Straßen langsam fahren.
- 13) Beim Bergabfahren langsam fahren.
- 14) Das Mindestalter für die Benutzung des Mähers beträgt 16 Jahre.
- 15) Im Rückwärtsgang nur langsam fahren.
- 16) Die Vor- und Rückwärtsfahrthebel niemals ruckartig betätigen.
- 17) Den Motor niemals in geschlossenen Räumen laufen lassen (Vergiftungs-/Todesgefahr).
- 18) **Den Treibstofftank vor dem Anlassen des Motors füllen.**
Nur im Freien tanken; vor dem Tanken immer den Motor abstellen, nicht rauchen und keine offenen Flammen benutzen.
Den Tankdeckel nicht abnehmen, wenn der Motor heiß ist.
Den Tank- bzw. Treibstoffbehälter wieder gut schließen.
- 19) Keinen Treibstoff verschütten, und nach dem Tanken vor dem Anlassen des Motors alle Treibstoffreste sorgfältig entfernen. Den Motor erst dann wieder anlassen, wenn die das ausgetretene Benzin verdampft ist.
- 20) Nicht neben Gräben arbeiten, deren Rand unter dem Gewicht der Maschine nachgeben könnte, vor allem bei nassem, lockerem oder brüchigem Boden.
- 21) Beim Abwärtsfahren Kurven sanft und langsam fahren.
- 22) Die Sicherheitseinrichtungen nicht beschädigen oder außer Funktion setzen; die Maschine niemals ohne Schutzverkleidung oder mit beschädigten Schutzeinrichtungen oder ohne Sicherheitseinrichtungen benutzen.
- 23) Vor dem Verlassen der Grasfläche/Wiese immer das Mähwerk ausschalten.
- 24) Nicht über Schotter mähen, da dieser angesaugt und von den Messern herumgeschleudert wird, was sehr gefährlich ist.
- 25) **Bei laufendem Motor keine Einstellungen oder Reinigungsarbeiten durchführen, schalten Sie auch die Zündkerze aus.**
- 26) **Die Maschine niemals von einer zweiten Person kontrollieren lassen, während Sie selbst auf dem Mäher sitzen und der Motor läuft.**
- 27) Der Fahrer ist immer für Personen- bzw. Sachschäden verantwortlich.

- 28) Jeder unsachgemäße Gebrauch der Maschine hat den Verfall des Garantieanspruchs und jeglicher Verantwortung des Herstellers zur Folge.
- 29) Den Mäher nur mit montiertem Steinschlagschutz benutzen.
- 30) Verbogene oder beschädigte Messer sofort auswechseln und nicht reparieren.
- 31) Ausschließlich Original-Grillo-Ersatzteile und Original-Grillo-Zubehör verwenden.
- 32) Den Treibstofftank immer nur im Freien entleeren.
- 33) **ACHTUNG:** Um die Brandgefahr zu reduzieren, müssen der Motorraum, der Auspufftopf, die Auspuffkrümmer, der Bereich um den Treibstofftank und die Treibstoffleitungen immer frei von Gras, Blättern, Staub, usw. gehalten werden.
- 34) Die Maschine darf nicht in einem Gebäude abgestellt werden, in dem die Treibstoffdämpfe mit Flammen, Funken oder freiliegenden Stromleitungen in Berührung kommen könnten.
- 35) Abgenutzte oder beschädigte Auspufftöpfe auswechseln.
- 36) Den Treibstoff in speziell zu diesem Zweck hergestellten Behältern aufbewahren.
- 37) Bevor die Maschine in einem geschlossenen Raum abgestellt wird, muss der Motor abgekühlt sein.

Wenn Sie diese Maschine benutzen, befolgen Sie die Empfehlungen dieses Bedienungsanleitungen. Wenn Sie diese Regeln nicht befolgen, der Bauer ablehnt alle Haftungen.

Nehmen Sie den Antrieb der Zubehör heraus, stellen Sie den Motor ab und schalten Sie die Zündkerze aus:

- a) **bevor der versperren Punkte zu putzen;**
- b) **bevor der Gestrüppmäher zu kontrollieren oder zu reparieren;**
- c) **nach dem Zusammenstoß gegen einem Fremdkörper (prüfen Sie das Scheideaggregat und kontrollieren Sie dass es nicht geschädigten ist und reparieren Sie es, bevor die Maschine noch zu benutzen;**
- d) **Wenn die Maschine nicht natürlich vibriert, machen Sie sofort eine allgemeine Kontrolle um den Grund zu erkennen: wenn es nötig ist, fragen auf die Intervention des Technikers.**

Stellen Sie den Motor ab und nehmen Sie den Antrieb heraus:

- a) **bevor tanken;**
- b) **bevor putzen.**

Abbau für den Ersatz oder den Schliff der Klinge.

Zuerst, stellen Sie den Motor ab, schalten Sie die Zündkerze aus und benutzen Sie die Handschuhe, um die Wunden-Gefahren zu vermeiden.

Am Ende des Schnitts, bringen Sie den Gashebel bei niedrigeren UpM und stellen Sie den Motor ab; wenn der Motor den Schlüss-Harn des Vergasers hat, schliesst ihn.

Halten Sie die Bolzen, die Muttern und die Schrauben anschraubt, so wird das Material in Ordnung. Wenn das Benzin im Kraftstoffbehälter bleibt, nie trennen Sie das Material in den Bauten, wo die Dämpfe könnte eine Flamme oder einen Funke verursachen. Lassen den Motor abkühlen, bevor der Maschine zurücklegen.

Kontrollieren Sie oft den Zustand des Auswurf-Hinterschutzes, um die Beschädigung zu vermeiden.

Ersetzen Sie die abgenutzten oder geschädigten Bestandteile, damit die Maschine in Sicherheitszustand arbeitet.

Ersetzen Sie den Auspufftopf, wenn Sie in einem schlechten Zustand sind.

Bevor der Arbeit zu beginnen, immer versichern Sie sich dass die Klinge, ihre Bolzen und alle die scharfen Teile nicht abgenutzten oder geschädigten sind. Ersetzen Sie die abgenutzte oder geschädigte Klinge und auch die Bolzen, bei der Kontrolle ihren Reihen, um das Gleichgewicht zu halten.

Arbeiten Sie nur mit dem Tageslicht, oder mit guter Beleuchtung.

Fahren Sie langsamer in den Gefällen und in schmalen Kurven, um den Unkippen der Maschine oder den Verlust der Kontrolle zu vermeiden. Achten Sie bitte, während des Fahrtrichtungswechsels in den Gefällen.

Gefahren, die der Boden verursachen kann:

1. **wenn der Boden sehr schräg ist;**
2. **bei Bergauffahren, könnte die Gefahr des Fahrer-Falls den Zurückweiche der Maschine verursachen;**
3. **bei Bergabfahren, könnte die Gefahr des Fahrer-Falls den Purzelbaum der Maschinen verursachen;**
4. **wenn in dem Boden es natürlichen Gegenstände gibt, z.B. Gesteine; beweglichen Steine; Baumstumpfe; Flaschen; Pflöcke und andere Fremdkörpers. Diese Hindernisse können gefährlichen Geschosse werden und das Schneideaggregat nicht natürlich belasten: Sie müssen sie vermeiden.**

Benutzen Sie nicht die Gestrüppmäher, wenn die Carterschutz defekt ist oder wenn die Sicherheitsvorrichtung nicht richtig anschließen wird.

Die Höchstdrehzahl-Einstellung dürfe nicht überschreiten werden.

Wenn Sie eine übertriebene Geschwindigkeit haben, die Unfallsgefahr vermehrt.

Für alle Schnitтарbeiten, benutzen Sie Arm-Schutzen, Helm oder die Ohrschutze.

Bevor dem Fahrsitz zu lassen:

- a) **nehmen Sie die Klinge heraus;**
- b) **stellen Sie den Motor ab.**

Streifen Sie keine Räume mit Kies oder verbrannte Erde durch und vermeiden Sie die Maschine mit dem Schneideaggregat noch eingefügt zu tragen.

Vermeiden Sie den Schnitt:

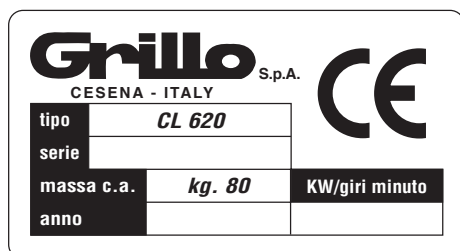
- a) **in der Nähe von bewohntem Gebiet;**
- b) **in der Nähe von dem Durchgang-Zone;**
- c) **in der Nähe von Halt-Zone.**

Wer diese Bedienungsanleitung nicht gelesen hat, muss nicht die Maschine benutzen.

Achten Sie nicht in dem Gefälle mit nassem Gras nicht zu rutschen.

Wenn Sie mit anderen Fahrzeug mit verschiedenem Antrieb tragen, stellen Sie nicht den Motor ab.

IDENTIFIKATION DER MASCHINE UND KUNDENDIENST



IDENTIFIKATION

Auf der Maschine befindet sich eine Plakette mit der Seriennummer der Maschine.

KUNDENDIENST

In diesem Handbuch finden Sie Anleitungen für den korrekten Gebrauch Ihrer Maschine und die vom Benutzer allein durchführbaren Wartungsarbeiten.

Für alle nicht in diesem Handbuch beschriebene Eingriffe und Arbeiten wenden Sie sich bitte an Ihren Grillo-Händler.

ERSATZTEILE

Verwenden Sie ausschließlich Original-Ersatzteile, da diese unter sicherheitsrelevantem und montagetechischem Standpunkt keine Probleme bereiten können.

Bei der Ersatzteilebestellung immer die Seriennummer der Maschine und die Ersatzteilnummer angeben.

Für die Ersatzteile des Motors die Hinweise im Motor-Handbuch beachten.

GARANTIE

Auf dem Garantieschein finden Sie die detaillierten Garantiebedingungen.

Für den Motor und die Batterie gelten die vom jeweiligen Hersteller vorgesehenen Garantiebedingungen.

ERSATZTEILE, DIE SIE IMMER ZUR HAND HABEN SOLLTEN

2 Messer

2 Schrauben für die Messer

2 Muttern für die o.a. Schrauben

1 Luftfilter für den Motor

1 Gasseil

TECHNISCHE DATEN - PRODUKTBESCHREIBUNG

MOTOR: BRIGGS & STRATTON QUANTUM XTL 60 190 cc. – 4 Takt Benzin 4,4 kW (6,0 hp), mit Zylinder aus Gusseisen.

ANLASSEN: Reversierstarter.

ANTRIEB: hydrostatisches Fahrgetriebe.

GESCHWINDIGKEIT: stufenlos regelbar vorn max. 6 km/h, rück max. 3,5 km/h.

KAPAZITÄT PRO STUNDE: 2000 m₂/h.

SCHNITTHÖHE: 20-50-80-100 mit einfacher Einstellung von Lenkholm.

SCHNITTBREITE: 620 mm.

TREIBRÄDER: mit 4 ply-rating 4.00-8 Igelbereifung.

VORDERRAD: mit Radsperresystem am Lenkholm mit Arbeit in der Küste ohne Ermüdung des Arbeiters.

MÄHDECK: Heck-und Seitenauswurf

MESSERUMFANGSGESCHWINDIGKEIT: 64 m/sec.

SCHNITTSYSTEM: rotierend mit Messer.

LENKHOLM: mit einfacher senkrechter und seitlicher Einstellung vom Lenkholm.

MASCHINEABMESSUNGEN: Länge 2100 mm, Breite 720 mm, Höhe 1050 mm.

GEWICHT: 80 kg.

INBETRIEBNAHME DER MASCHINE

- 1) Die Maschine auf Transportschäden untersuchen.
- 2) Ölstand von Motor, hydrostatischem Getriebe, Räderuntersetzung kontrollieren.
- 3) Reifendruck kontrollieren:
0,3 Bar Vorderreifen 4.00 – 8.
- 4) Drehen Sie den Führungsholm.
- 5) Bauen Sie das Vorder-Transportrad und den Radsperre-Kabel an.

EINFAHREN - ACHTUNG!!

Nach den ersten 5 Betriebsstunden das Motoröl auswechseln.

Vergewissern Sie sich, dass es keine undichten Stellen gibt, und alle Schrauben, vor allem die Befestigungsschrauben des Messers gut angezogen sind (Abb. 3 und 4).

Nach den ersten Stunden der Benutzung, stellen Sie sowohl den Motor-Riemen des Mähwerks als auch den Bremse ein.

BETRIEBSANLEITUNG

Vor dem Anlassen des Motors immer die folgenden Kontrollen vornehmen:

- Motorölstand kontrollieren, Abb. 5 (Lesen Sie die Bedienungsanleitung).
- Ölstand im Hydromotor kontrollieren (Abb. 6); der Pegel liegt 12 mm unter dem unteren Wannboden).
- Der Fahrhebel muss in Leerlaufposition liegen (Abb. 2 Nr. 7).
- Die Luftgitter für die Motorkühlung müssen sauber sein (Abb. 7).
- Der Luftfilter muss sauber sein, Abb. 2 Nr. 15 (Lesen Sie die Bedienungsanleitung).
- Der Schneidmesser muss sauber sein.
- Die Schlitze des Hydromotors müssen sauber sein (Abb. 8).
- Die Messer müssen scharf und gut befestigt sein.
- Die mittlere Schraube der Messernabe muss gut angezogen sein (Abb. 9).

Zum Einfüllen des Treibstoffs einen Trichter mit einem sehr feinen Filter benutzen (Abb. 2 Nr. 14).

ANLASSEN DES MOTORS

- Den Gashebel (Abb. 2, Nr. 10) bis zur Hälfte drücken.
- Bei kaltem Motor den Starter benutzen: bitte pumpen Sie 3 Mal auf der kleinen Membran (Abb. 7).
- Sobald der Motor angesprungen ist, den Starter wieder abschalten, und den Motor einige Minuten lang warmlaufen lassen.

Hinweis: Während der Transportfahrt sollte der Mähdeck ganz oben positioniert sein.

BEGINN DER ARBEIT

- Die Schnitthöhe mit Hilfe des Hebels Abb. 2 Nr. 8 einstellen, den Motor aufdrehen, die Zapfwelle einkuppeln (Abb. 2 Nr. 1). Den Fahrhebel sanft betätigen (Abb. 2 Nr. 2) und mit dem Mähen beginnen. Zum Anhalten den Fahrhebel (Abb. 2 Nr. 7) und den Zapfwellehebel (Abb. 2 Nr. 1) lassen.

- Der Hebel (Abb. 2 Nr. 2) dient zum Rückwärtsfahren und auch um die Arbeitgeschwindigkeit zu wählen; dazu den Hebel nach hinten geben; nicht ruckartig betätigen.

FESTSTELLBREMSE

Zum Anziehen der Feststellbremse sperren Sie die Lenkbremsen-Hebel mit der Befestigung.

Bitte verstellen Sie die Bremse, bei Benutzung das Register, das auf dem Hebel positioniert wird.

HINWEISE ZUM GEBRAUCH DER MASCHINE

- 1) Den Motor niemals überanstrengen. Sobald Rauch aus dem Auspuff austritt, wird der Motor zu stark beansprucht und es muss unbedingt langsamer gefahren werden.
- 2) Die Maschine nicht im Regen stehen lassen.
- 3) Die Klingen regelmäßig nachschleifen. Dadurch wird das Schnittbild besser und der Motor geschont.
- 4) Beim Mähen den Motor auf maximaler Drehzahl halten, und die Geschwindigkeit der Grashöhe entsprechend regeln.
- 5) **Die Gitter über dem Motor und die Kühlschlitze des Hydromotors sauber halten (Abb. 7 und Abb. 8).**

EINSTELLEN DER SCHNITTHÖHE

Die Schnitthöhe wird mit Hilfe des Hebels Abb. 2 Pos. 8 eingestellt.

Der Teller kann auf vier verschiedenen Schnitthöhen von 35 bis 100 mm positioniert werden.

Auf unebenem Gelände sollte der Teller in der höchsten Stellung positioniert werden, damit das Messer keine Bodenerhebungen berühren kann.

ANSPRECHEN DER SICHERHEITSEINRICHTUNGEN

Der Motor wird automatisch abgestellt, wenn:

- Der Fahrer vom Sitz aufsteht.

Der Motor kann nicht eingeschaltet werden, wenn:

- Das Messer eingekuppelt ist.
- Niemand auf dem Fahrersitz sitzt.
- Der Fahrthebel sich nicht in der Position STOPP befindet.

BESONDERE WARTUNG

***BINDEND** Bevor der Benutzung, kontrollieren Sie dass die Sauger-Zone für die Kühlung und den Motorzylinder keine Unreinheit hat. **ANDERFALLS WIRD DIE GARANTIE ZURÜCKNEHMEN.**

***Der Motor**

Lesen Sie die Gebrauchs- und Wartungsanleitung.

***Die Gestrüppmäher**

Nach der Benutzung, putzen Sie die Schnitt-Protektion und räumen Sie die Grasreste von dem Motorweg.

Kontrollieren Sie die Schnittklinge: sie muss immer geschärft sein, um einen Netto-Schnitt und eine besser Leistung Ihrer Gestrüppmäher zu erhalten.

Achtung!

Wenn Sie die Klinge schärfen, Kontrollieren Sie ihr Gleichgewicht. Außerdem schmieren Sie die Lager und die Achsen alle 25 St. der Benutzung.

Kontrollieren Sie immer das Spannen der Bolzen.

WARTUNG UND SCHMIEREN

ACHTUNG!

Vor jedem Reinigungs-, Wartungs- oder Reparatüreingriff die Zündkerzenversorgung unterbrechen. Zweckmäßige Arbeitskleidung und Arbeitshandschuhe tragen.

SCHMIERUNG

Altöl, Benzin und andere umweltverschmutzende Produkte ordnungsgemäß entsorgen!

Eine gute Wartung und eine korrekte Schmierung halten den Mäher stets funktionstüchtig und einsatzbereit.

MOTOR

Für die Schmierung des Mopptors die im Motor-Handbuch angeführten zeitlichen Angabe beachten. Das Öl und der Ölfilter müssen auf jeden Fall **nach den ersten 5 Arbeitsstunden**.

Es ist besonders wichtig, dass der Motor korrekt gewartet wird: Luftfilter, Kühlrippen und Kopf müssen sauber gehalten werden, der Motorölstand muss stimmen.

Den Luftfilter mindestens alle 4 Stunden kontrollieren, bei staubigen Bedingungen auch häufiger.

Das Ansauggitter für die Motorkühlung kontrollieren (Abb. 7).

HYDROSTATISCHE ACHSE

Mit kaltem Motor die Expansionswanne kontrollieren; sie muss leer sein (Abb. 7).

Die Kühlrippen des Hydromotors häufig säubern; im Sommer bei Trockenheit und Staub alle vier Arbeitsstunden, Abb. 8.

Das Öl nach den ersten 50 Arbeitsstunden und danach alle 200 Stunden wechseln; verwenden Sie dazu 10W30 und zwar 1,85 l. Für den Ölwechsel wie folgt vorgehen:

- 1) Die beiden Verschlüsse abnehmen, Abb. 10.
- 2) Mit einem Schraubendreher den Verschluss Abb. 11 entfernen.
- 3) Die beiden Verschlüsse Abb. 10 einschrauben (Anzugsmoment 13-17 N.m).
- 4) Das Öl einfüllen, den Verschluss Abb. 11 wieder einsetzen.
- 5) Beim hydrostatischen Getriebe muss das Expansionsgefäß leer sein; der Pegel liegt 12 mm unter dem unteren Ende der Expansionswanne, Abb. 6.

VORDERE ACHSE

Alle 20 Stunden die Vorderrad fetten (Abb. 12).

Die Gelenke des Lenkholmes und des Kabels ebenfalls schmieren.

LUFTFILTER

Den Luftfilter alle 4 Stunden kontrollieren, bei staubigen Verhältnissen auch öfter (Abb. 2 Nr. 15).

KONTROLLE VON SCHNEIDTELLER UND MESSERN

Ein stumpfes Messer schneidet das Gras nicht ab, sondern reißt es ab, was ein unschönes Schnittbild zur Folge hat. Es müssen immer die Schneiden beider Messer geschliffen werden. Zum Ausbauen das Messer mit Schutzhandschuhen festhalten und die mittlere Schraube - Achtung rechtsgängige Schraube - ausdrehen (Abb. 9 Pos. 3). Beide Schneiden mit einem mittleren Schleifstein nachschleifen und sicherstellen, dass das Messer ausgewuchtet ist, indem man es mit einem im mittleren Loch eingesteckten Rundeisen hält.

ACHTUNG!

Die Befestigungsschraube fest anziehen (Abb. 9 Pos. 3). Beschädigte oder verbogene Messer sofort auswechseln. Nicht zu reparieren versuchen! Für die Montage siehe Schema Abb. 9. **AUSSCHLIESSLICH ORIGINAL-MESSER VERWENDEN!** Immer kontrollieren visuell, dass die Messerbolzen nicht verschleißt oder beschädigt sind.

RIEMEN MOTOR - SCHNEIDMESSER

Die Riemen Spannung wird mit Hilfe der Spannvorrichtung eingestellt (Abb. 2 Nr. 1), die auf dem Hebel ist. Während der Arbeit muss die Feder sich 100 mm strecken.

Es muss lediglich die Spannung der Feder kontrolliert werden (Abb. 15). Springt der Riemen heraus, oder verdreht er sich und kontrolliert das Riemenscheiben-Aufreihen.

Beim Positionieren der Riemenführungen müssen die Führungen dem Riemen genähert (Abb. 13). Wenn der Riemen in Spannung ist, muss er keinen Kontakt mit der Führung haben.

RIEMEN MOTOR – HYDROSTATISCHE ACHSE

Es muss lediglich die Spannung der Feder kontrolliert werden. Während der Arbeit muss die Feder sich 17 mm strecken. Zum Auswechseln muss die Spannfeder ausgehängt werden (Abb. 14).

ROTATION DES MESSERS

Die Drehbewegung des Messers wird mit dem Hebel Abb. 2 Pos. 1 ein- und ausgeschaltet (wenn Sie das Hebel lassen, haltet die Klinge an).

Beim Einschalten muss der Motor mit halber Kraft arbeiten und die Maschine darf nicht auf dem zu schneidenden Gras stehen.

Das Ausschalten erfolgt das Hebel zu lassen, Abb. 2 Pos.1.

Das Messer muss innerhalb von 5 Sekunden stehen bleiben; andernfalls muss die Bremse mit Hilfe der Vorrichtung Abb. 15 justiert werden.

NB: Diese Einstellung muss in einem autorisierten Grillo-Kundendienstcenter vorgenommen werden.

AUSWECHSELN DER RIEMEN

Die Übertragung der Bewegung des Motors auf das Druckölgetriebe und auf die Schneidmesser erfolgt über zwei Keilriemen. **Diese Riemen müssen ausgewechselt werden, sobald sie Abnutzungserscheinungen zeigen.** Das Auswechseln und nachfolgende Einstellen der Riemen ist ziemlich kompliziert, und muss daher von einem Grillo-Kundendienstcenter vorgenommen werden.

Für den Riemen, der den Motor mit dem Schneidmesser verbindet, müssen die zwei Riemenführungen neben der Riemenscheibe abmontiert (Abb. 13) und die Riemenspannfeder ausgehakt (Abb. 16) und die Schutzverkleidungen (Abb. 16, Pos. A) abmontieren werden.

Haken Sie die Klingen-Bremse und die Feder aus (**Achtung!** Die Feder muss in dem Ring wieder zuhaken werden).

Für den Riemen Motor hydrostatische Achse müssen Sie das Riemenführungen-Lager abmontieren (Abb. 17).

IMMER ORIGINAL-ERSATZRIEMEN VERWENDEN!

VORRICHTUNG ZUM AUSKUPPELN DES ANTRIEBS

Im hinteren Maschinenteil befindet sich die Vorrichtung zum Auskuppeln des Antriebs (Abb. 18). Sollte die Maschine eine Panne haben und abgeschleppt oder von Hand verschoben werden müssen, legt man den Hebel in die Leerlaufstellung (Abb. 18, Pos. A). In der Stellung (B) arbeitet die Maschine.

LISTE DER HÄUFIGSTEN STÖRUNGEN UND DEREN BEHEBUNG:

STÖRUNG	
URSACHE	ABHILFE
Der Motor hat beim Starten Schwierigkeiten oder läuft unregelmäßig	
<ul style="list-style-type: none">– Vergaserprobleme– Schmutziger Treibstoff– Zündanlage ist defekt	<ul style="list-style-type: none">– Luftfilter reinigen oder auswechseln– Vergaser einstellen (siehe Motorhandbuch)– Tank entleeren und frisches Benzin nachfüllen– Benzinfilter kontrollieren und ggf. auswechseln– Das Entlüftungsloch im Tankdeckel ist verstopft, und muss gereinigt werden– Befestigung des Zündkerzensteckers kontrollieren– Abstand und Zustand der Elektroden kontrollieren
Motorleistung sinkt beim Mähen	
<ul style="list-style-type: none">– Für die Schnitthöhe zu hohe Geschwindigkeit– Schneidmesser etwas höher stellen	<ul style="list-style-type: none">– Langsamer fahren
Schlechtes, unregelmäßiges Schnittbild	
<ul style="list-style-type: none">– Schneidmesser liegt nicht parallel zum Boden– Messer schneiden schlecht	<ul style="list-style-type: none">– Reifendruck kontrollieren– Sitz des Messers kontrollieren– Messer nachschleifen oder auswechseln– Spannung des Riemens vom Motor zum Schneidmesser überprüfen
Vibrationen beim Arbeiten	
<ul style="list-style-type: none">– Messer nicht ausgewuchtet– Befestigungsschrauben locker	<ul style="list-style-type: none">– Messer auswuchten und ggf. beschädigte Messer auswechseln– Befestigungsschrauben von Messern, Motor und Rahmen kontrollieren und ggf. nachziehen.

DIE MASCHINE BLEIBT NICHT IM LEERLAUF

Die Vorrichtung (Abb. 19) einstellen, die Kontermutter lockern und die mittlere Schraube drehen.

FAHRTHEBEL

Zum Einstellen der Geschwindigkeit beim Vorwärtsfahren und im Rückwärtsgang die Schrauben (Abb. 2 Nr. 2) benutzen. Kehrt der Fahrthebel automatisch auf Null zurück, muss die selbstblockierende Mutter (Abb. 2 Nr. 10) eingestellt werden.

NACH DER ARBEIT

Das Messer auskuppeln und vor dem Wegfahren den Schneidteller ganz anheben.

Zum Anhalten den Fahrthebel auf STOPP legen (Abb. 3 Pos. 2) den Gashebel auf STOPP Position (Abb. 2 n°10) stellen und den Motor durch Drehen des Schlüssels abstellen (Abb. 3, Pos. 3), den Teller ganz nach unten stellen.

EINSTELLEN DES MÄHERS FÜR DEN WINTER ODER LÄNGERE NICHTBENUTZUNG

Den Mäher an einen trockenen, vor Witterungseinflüssen geschützten Ort bringen und abdecken und die Angaben im Motorhandbuch befolgen. Alle Gelenke schmieren.

Verwenden Sie Kraftstoff-Stabilisator.

Motoren, die länger als 30 gelagert werden, müssen geschützt oder es muss der Kraftstoff abgelassen werden, damit sich im Kraftstoffsystem oder an wichtigen Vergaserteilen keine Ölrückstände bilden. Zum Schutz des Motors empfehlen wir Briggs&Stratton-Kraftstoffstabilisator, der beim Briggs&Stratton Vertragshändler erhältlich ist. Den Stabilisator im Kraftstofftank oder Lagerungsbehälter mit dem Kraftstoff mischen. Den Motor kurz laufen lassen, damit der Stabilisator durch den Vergaser fließen kann. Motor und Kraftstoff können bis zu 24 Monate gelagert werden.

Hinweis: Wenn kein Stabilisator verwendet wird, den Kraftstoff vollständig aus dem Tank entfernen und den Motor laufen lassen, bis er aus Kraftstoffmangel ausgeht.

CORTACÉSPED HIDROSTATICO «GRILLO CLIMBER 620»

Estimado Cliente,

dándole las gracias por la confianza y la preferencia otorgada a nuestro Grillo CLIMBER 620, confiamos en que el uso de esta máquina se ajuste plenamente a sus necesidades.

Para poderla utilizar en la mejor manera y para su mantenimiento a través del tiempo, **le rogamos que lea atentamente y siga escrupulosamente las indicaciones de este manual.** Esto le permitirá obtener los máximos resultados y proteger su inversión. Por eso **le rogamos que guarde siempre este manual** junto con la máquina.

ATENCIÓN! Antes de arrancar el motor, lea atentamente.

¡Las siguientes advertencias son importantes para su incolumidad física!

NORMAS DE PREVENCIÓN DE ACCIDENTES

La prudencia es el arma principal para prevenir los accidentes.

Le rogamos lea con atención las siguientes advertencias antes de iniciar el trabajo con la cortadora de césped. El uso inadecuado de la máquina y de su equipamiento puede resultar dañoso; para limitar estas posibilidades adopte las precauciones necesarias que se indican a continuación:

- 1) Leer todo el manual, antes de encender y poner en funcionamiento la cortadora de césped.
- 2) Prestar especial atención a las prohibiciones y a las etiquetas de seguridad colocadas en la máquina.
- 3) La rotación de la cuchilla de la cortadora de césped es sumamente peligrosa, **nunca poner las manos o los pies debajo del plato de corte.**
- 4) Antes de permitir que otras personas trabajen con el cortacésped, es preciso informarles sobre las normas de seguridad y cómo se utiliza el cortacésped.
- 5) Antes de poner en marcha la máquina controle que no haya personas alrededor, **sobre todo niños.**
- 6) Antes de partir con la máquina en marcha atrás controle que no haya personas ni obstáculos.
- 7) No permitir que suban pasajeros a la máquina.
- 8) No utilizar la máquina con síntomas de cansancio y no beber alcohólicos.
- 9) Controlar el terreno antes de proceder con el corte: quitar piedras, maderos o cuerpos extraños, que podrían dañar la máquina o ser arrojados lejos y, por lo tanto, resultar muy peligrosos.
- 10) **Antes de empezar el trabajo, ponerse prendas de trabajo adecuadas, guantes, botas y gafas.**
- 11) Esta máquina no puede circular por las carreteras.
- 12) Sobre firmes irregulares, viajar a baja velocidad.
- 13) Cuesta abajo, viajar a baja velocidad.
- 14) No permitir el uso de la máquina a los menores de 16 años.
- 15) No hacer marcha atrás con el motor acelerado.
- 16) No accionar la palanca de avance y retroceso de manera brusca.
- 17) Para evitar el peligro de exhalaciones tóxicas, no arrancar el motor en ambientes cerrados.
- 18) **Antes de poner en marcha el motor, llenar el depósito de combustible.**
Reabastecer el combustible sólo al aire libre, apagando siempre el motor y manteniéndose lejos de chispas o llamas. ¡No fumar!
No quitar la tapa del tanque mientras el motor esté caliente.
Volver a colocar de modo seguro la tapa del depósito y de los recipientes de combustible.
- 19) Evitar los derrames de combustible y, tras haber llenado el tanque, limpiar los residuos que queden sobre la máquina antes de ponerla en marcha: no crear alguna fuente de inyección hasta la total dispersión de los vapores de la gasolina vertida.
- 20) No trabajar con la cortadora de césped cerca de fosos o banquetas que puedan ceder bajo el peso de la máquina, especialmente cuando la superficie se presenta movediza o mojada.
- 21) Cuesta abajo, curvar siempre lentamente.
- 22) No manipular ni desactivar los dispositivos de seguridad, no utilizar la máquina sin los cárteres de protección o con los mismos dañados, o sin dispositivos de seguridad.
- 23) Antes de pasar por superficies que no tengan césped, desconectar la cuchilla.
- 24) No trabajar con el cortacésped sobre grava, porque la misma sería aspirada y centrifugada por la cuchilla, resultando muy peligrosa.
- 25) **No hacer ningún tipo de regulación o limpieza con el motor en marcha y desconectar la bujía.**
- 26) **No permitir que nadie controle la máquina mientras el operador esté sentado en el puesto de conducción con el motor en marcha.**
- 27) El usuario siempre es responsable de los daños originados a terceros.
- 28) Cualquier uso impropio supone la anulación de la garantía y de cualquier responsabilidad del fabricante.
- 29) Utilizar la máquina con los deflectores de protección contra las piedras.

- 30) Las cuchillas deformadas o dañadas siempre deben ser sustituidas, no reparadas.
- 31) Usar siempre recambios y accesorios originales Grillo.
- 32) Si fuera necesario vaciar el tanque de combustible, efectuar la operación al aire libre.
- 33) **ATENCIÓN:** Para reducir el peligro de incendio, mantener el alojamiento motor, el silenciador del escape, los tubos de escape, la batería, la zona del tanque y los conductos de combustible libres de hierba, hojas, polvo, etc.
- 34) No almacenar la máquina dentro de un edificio donde los vapores del combustible puedan entrar en contacto con llamas, chispas o cables de electricidad descubiertos.
- 35) Reemplazar el silenciador de escape cuando esté gastado o dañado.
- 36) Almacenar el combustible sólo en los recipientes específicos.
- 37) Dejar enfriar el motor antes de guardar la máquina en ambientes cerrados.

Utilizar esta máquina respetando siempre las indicaciones del presente manual. En el caso contrario el fabricante es exonerado de cualquier responsabilidad.

Desembragar la transmisión de los accesorios, apagar el motor y desconectar la bujía:

- a) **antes de limpiar los puntos obstruidos;**
- b) **antes de controlar o reparar el cortacésped;**
- c) **después de choques contra cuerpos extraños (controlar que el cuerpo de corte no haya subido daños y proceder a la reparación antes de ponerlo en marcha otra vez);**
- d) **si la máquina empieza a vibrar de manera anormal, hacer inmediatamente un control general para detectar la causa : de ser necesario, pedir la ayuda de un tecnico especializado.**

Apagar el motor y desconectar la transmisión:

- a) **antes del reabastecimiento de combustible;**
- b) **antes de limpiar la máquina.**

Desmontaje para cambiar o afilar la cuchilla. Apagar primero el motor, desconectar la bujía y utilizar los guantes para evitar los riesgos de heridas.

Una vez terminada la operación de corte, llevar la palanquita del acelerador al punto mínimo y apagar el motor; cerrar el grifo del carburante si el motor tiene uno.

Mantener los bulones, tuercas y tornillos correctamente enroscados para que la máquina garantice las mejores condiciones de servicio.

Si queda gasolina en el tanque, no desconectar la máquina al interior de un edificio donde las exhalaciones podrían provocar llamas o chispas. Dejar que el motor se enfríe antes de encerrar la máquina en cualquier lugar cerrado.

Verificar frecuentemente el estado de la protección trasera de expulsión para evitar desgastes.

Cambiar los elementos desgastados o dañados para que la máquina trabaje en condiciones de máxima seguridad. Cambiar el tubo de escape cuando esté desgastado.

Antes de empezar el trabajo averiguar que la cuchilla, los bulones y los cortes, estén en buen estado. Cambiar la cuchilla eventualmente desgastada y los bulones según su serie, para mantener el equilibrio.

Trabajar únicamente durante el día o con una buena luz artificial.

Cuesta abajo y en las curvas, limitar la velocidad para evitar el volcado de la máquina o una pérdida de control; poner mucha atención durante los cambios de dirección en los pendientes.

Riesgos debidos al terreno:

1. **Sobre pendientes muy fuertes;**
2. **Cuesta arriba el riesgo de caída del operador podría llevar la máquina hacia atrás;**
3. **Cuando sobre el terrenos se encuentran obstáculos : piedras, piedras móviles, cepas, botellas, trozos de hierro, palos y cualquier cuerpo extraño que pueden revelarse objetos peligroso al ser arrojados por la máquina o que podrían dañar la misma , estos obstáculos tiene que ser evitados.**

Nunca utilizar un cortacésped con cárteres de protección defectuosos o sin dispositivos de seguridad correctamente instalado. No modificar la regulación del número de revoluciones del motor en régimen máximo. Trabajar con el motor a velocidad excesiva aumenta el riesgo de accidentes para las personas.

Cada vez que se trabaja con el cortacésped, es necesario utilizar cascos o protecciones acústicas.

Antes de abandonar el puesto de conducción

- a) **Desembragar la cuchilla;**
- b) **Apagar el motor.**

No atravesar terrenos cubiertos de grava o de tierra quemada y evitar de remolcar la máquina con el cuerpo de corte embragado.

Evitar el trabajo:

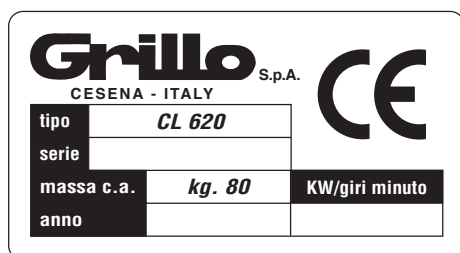
- a) **muy cerca de lugares abitados**
- b) **frente de lugares de pasaje**
- c) **frente de lugares de parada.**

No dejar que personas que no conocen estas instrucciones, utilicen la máquina.

Poner mucho cuidado para no deslizar sobre todo en terrenos con hierba mojada.

Cuando se remolca la máquina, es necesario apagar el motor.

IDENTIFICACIÓN Y ASISTENCIA



IDENTIFICACIÓN

La cortadora de césped Grillo CL 620 está dotada de una placa de identificación con el número de bastidor.

SERVICIO DE ASISTENCIA

Este manual ofrece las indicaciones para el uso de la cortadora de césped y para un buen mantenimiento básico que el usuario puede ejecutar.

Para obtener información acerca de las intervenciones no descritas en este manual, se ruega ponerse en contacto con el Revendedor local.

RECAMBIOS

Se recomienda emplear exclusivamente recambios originales, los únicos que garantizan características de seguridad y posibilidad de intercambio.

Cada pedido debe ser acompañado por el número de bastidor de la máquina y el número de código de la pieza de recambio.

Para los recambios del motor, atenerse a todo lo indicado en el manual específico.

GARANTÍA

La garantía se ofrece en los modos y en los límites que se indican en la ficha correspondiente.

En lo que se refiere al motor y la batería, valen las condiciones previstas por los respectivos fabricantes.

RECAMBIOS QUE SE ACONSEJA TENER DE RESERVA

2 cuchillas

2 tornillos cuchillas

1 serie correas

1 filtro aire motor

1 cable acelerador

CARACTERÍSTICAS TÉCNICAS

MOTOR: Briggs & Stratton QUANTUM XTL 60 190 cc.- 4 tiempos, gasolina, 4,4 kW (6,0 HP) con cilindro de fundición

ARRANQUE: manual con enrollado automático.

TRANSMISIÓN: hidrostática.

VELOCIDAD: Con variación continua, avance máx. 6 km/h, retroceso máx. 3,5 km/h.

CAPACIDAD POR HORA: 2000 m²/h.

ALTURA DE CORTE: 20 – 50 – 80 - 100 mm. con regulación rápida desde las manceras.

ANCHO DE CORTE: 620 mm

RUEDAS MOTRICES: con neumáticos agrícolas 4.00-8 de 4 telas.

RUEDA DELANTERA: con sistema de bloqueo del manillar para el trabajo en pendiente para facilitar al operador

PLATO DE CORTE: Con descarga lateral/trasera.

VELOCIDAD PERIFÉRICA CUCHILLA: 64 m/s

SISTEMA DE CORTE: giratorio de una cuchilla

NEUMÁTICOS: Delanteros 13 x 50 - 6; traseros 16 x 6.50 - 8.

MANCERAS: con regulación rápida en vertical y lateral, desde el manillar.

DIMENSIONES: Altura 1.050 mm, ancho 720 mm, longitud 2.100 mm

PESO: Kg. 80.

PUESTA EN SERVICIO DE LA MÁQUINA

- 1) Controlar la integridad de la máquina, que no haya sufrido daños durante el transporte.
- 2) Controlar los niveles de aceite, aceite motor, transmisión hidrostática.
- 3) Controlar la presión de los neumáticos:
0,3 BAR ruedas delanteras 4.00-8.
- 4) Girar las manceras.
- 5) Montar el soporte de la rueda delantera del plato y conectar el cable bloqueo de esta rueda (fig.3-4).

RODAJE - ¡ATENCIÓN!

Cambiar el aceite motor y el filtro tras las 5 primeras horas de trabajo.

Controlar que no se produzcan derrames de aceite y que no se aflojen los tornillos, especialmente los que fijan la cuchilla de corte. Al cabo de las primeras horas de marcha, regular la tensión de la correa del motor del plato de corte y el freno (fig. 2 n°1 – fig. 15).

INSTRUCCIONES PARA EL EMPLEO

Antes de poner en marcha el motor, controlar siempre que:

- el aceite del motor esté a nivel, fig. 5 (seguir las indicaciones del manual motor);
- el aceite del motor hidráulico esté a nivel (fig. 6); el nivel se encuentra 12 mm más abajo que el plano inferior del recipiente (fig. 6)
- la palanca de avance esté en punto muerto (fig. 2 n°7);
- las rejillas de aspiración para la refrigeración del motor estén limpias (fig. 7);
- el filtro de aire esté bien limpio, fig. 2 n°15 (seguir las indicaciones del manual motor);
- el plato de corte esté bien limpio;
- las aletas del motor hidráulico estén limpias (fig. 8);
- las cuchillas estén bien afiladas y fijadas;
- el tornillo central del cubo de palanca de la cuchilla esté bien ajustado (fig. 9).

Llenar el depósito de combustible con el auxilio de un embudo provisto de un filtro muy fino (fig.2 n°14).

PUESTA EN MARCHA DEL MOTOR

- Empujar la manecilla del acelerador hasta el fin de su recorrido (fig. 2 n°10).
- Si el motor está frío, accionar el estárter bombeando tres veces la membranilla (fig.7). Arrancar el motor tirando de la empuñadura del arranque manual (fig. 2 n°13).
- Una vez el motor en marcha, esperar algunos minutos para que se caliente.

Nota: Durante los desplazamientos, es oportuno que el plato de corte se encuentre en la altura máxima.

INICIO DEL TRABAJO

- La altura de corte se regula mediante la palanca (fig. 2 n°8): acelerar oportunamente el motor, engranar la PTO (fig. 2 n°1). Accionar suavemente la palanca de avance (fig. 2 n°2) y empezar el trabajo. Para detenerse, dejara la palanca (fig.2 n°7) y la palanca PTO (fig. 2 n°1).
- La palanca (fig. 2 n°2) sirve para seleccionar la velocidad de trabajo y para la marcha atrás; moviéndola hacia atrás la máquina retrocede (hacerlo suavemente).

FRENO DE ESTACIONAMIENTO

El freno de estacionamiento se acciona bloqueando la palanca con el gancho de bloqueo.

Regular el freno con el dispositivo que se encuentra en la palanca (fig. 2 n°12).

REGLAS ÚTILES PARA UN BUEN USO

- 1) Nunca forzar el motor; cuando sale humo del escape significa que la máquina se está esforzando, entonces es necesario desacelerar.
- 2) No tener la máquina bajo la lluvia.
- 3) Afilar las cuchillas frecuentemente; el corte será mejor y el motor se esforzará menos.
- 4) Durante el corte, mantener el motor en régimen máximo, regular la velocidad en base a la altura del césped.
- 6) **Mantener limpias las rejillas situadas sobre el motor y las aletas de refrigeración del motor hidráulico (Fig. 7 y 8).**

POSICIONES DE CORTE

La altura de corte se regula mediante la palanca fig. 2 n. 8.

El plato puede regularse en 4 diferentes posiciones de corte, de 35 a 100 mm.

En caso de terreno accidentado, badenes o cambios de rasante, conviene trabajar con el plato en la posición de corte más alta para evitar que la cuchilla choque contra el terreno.

MANTENIMIENTO ESPECÍFICO

***INDICACIÓN TAXATIVA:** antes de utilizar la máquina averiguar siempre que la zona de aspiración para la refrigeración y el cilindro del motor estén bien limpias. **EN EL CASO CONTRARIO, LA GARANTÍA SERÁ ANULADA.**

*El motor

Véase el manual anexo.

*La cortadora/picadora de hierba

Después de cada sesión de trabajo, limpiar bien el cárter del corte y quitar del motor eventuales residuos vegetales. Controlar la cuchilla que tiene que estar siempre bien afilada para obtener el mejor corte posible y mejorar el rendimiento del cortacésped.

Atención: cuando se procede al afilado de la cuchilla, verificar siempre el equilibrado. Cada 25 horas de trabajo, lubricar los cojinetes y los ejes. Verificar sistemáticamente la fijación de todos los bulones.

MANTENIMIENTO Y LUBRICACIÓN

¡ATENCIÓN!

Desconectar la bujía antes de iniciar cualquier operación de limpieza, mantenimiento o reparación. Ponerse prendas adecuadas y guantes de trabajo.

LUBRICACIÓN

¡Nunca arrojar en el medio ambiente aceites usados, gasolina ni cualquier otro producto contaminante!

Un mantenimiento eficiente y una correcta lubricación contribuyen a mantener un perfecto rendimiento de la máquina.

MOTOR

Para los intervalos de lubricación, seguir las normas detalladas en el manual del motor; de todos modos, es **indispensable cambiar el aceite tras las 5 primeras horas de trabajo.**

La primera precaución consiste en que el motor esté correctamente mantenido con filtro de aire, aletas de refrigeración del cilindro, culata limpia y el aceite del motor a nivel.

Controlar el filtro de aire cada 4 horas o aún más frecuentemente si el medio ambiente es muy polvoriento.

Controlar la rejilla de aspiración de la refrigeración del motor (fig. 5).

EJE HIDROSTÁTICO

Con el motor frío, controlar que el tanque de expansión esté vacío (fig. 8).

Limpiar frecuentemente las aletas de refrigeración del motor hidráulico, sobre todo por el verano y en los ambientes muy polvorientos (cada 4 horas de trabajo, fig. 8).

Cambiar el aceite tras las 50 primeras horas de trabajo y luego cada 200 horas, utilizando 1,85 l. de aceite 10W30 y procediendo de la siguiente manera:

- 1) Quitar los dos tapones (fig. 10).
- 2) Sirviéndose de un destornillador, remover el tapón (fig. 11).
- 3) Enroscar los dos tapones (fig. 10) con un par de torsión de 13-17 N.m.
- 4) Echar el aceite y volver a colocar el tapón (fig. 11).
- 5) Controlar que el tanque de expansión esté vacío, el nivel está 12 mm más abajo que el plano inferior de la misma (fig. 6).

EJE RUEDAS DELANTERAS

Engrasar cada 20 horas los pernos de articulación de la rueda (fig. 12).

Lubricar las articulaciones de las manceras y los cables.

FILTRO AIRE

Controlar el filtro de aire cada 4 horas de trabajo o aún más frecuentemente si el ambiente es muy polvoriento (fig. 2 n°15).

CONTROL CUCHILLAS Y PLATO DE CORTE

Una cuchilla desafilada arranca el césped, dándole un aspecto desagradable. Es necesario que se afilen siempre los dos cortes de ambas las cuchillas. Para desmontar una cuchilla, agarrarla fuertemente, utilizando guantes de trabajo, y destornillar el tornillo central considerando que éste gira a la derecha (fig. 9 n°3); afilar ambos los cortes mediante una muela de grano mediano y controlar el equilibrado de la cuchilla sosteniéndola con una barra introducida en el orificio central.

¡ATENCIÓN!

Ajustar a fondo el tornillo de fijación (fig. 9 n°3). Cambiar siempre las cuchillas averiadas o torcidas. ¡Nunca tratar de repararlas! Para el montaje, seguir el esquema de la fig. 9. ¡USAR SIEMPRE CUCHILLAS ORIGINALES! Verificar siempre que los bulones de la cuchilla no estén desgastados o dañados.

CORREA MOTOR - CUCHILLA

La tensión se regula mediante el dispositivo (fig. 2 n°1) que se encuentra en la palanca. Durante el trabajo el muelle tiene que alargarse de 100 mm.

En caso de que la correa se enrosque o salga de su sitio, controlar la alineación de las poleas.

Atención: al colocar las poleas de reenvío, hay que acercarlas a la correa (fig. 13). Cuando la correa está en tensión no tiene que entrar en contacto con las poleas de reenvío.

CORREAS MOTOR - EJE HIDROSTÁTICO

Controlar la tensión del muelle: durante el trabajo tiene que alargarse de 17 mm. Para cambiar las correas hay que desenganchar el muelle de tensión (fig. 14).

ROTACIÓN CUCHILLA

Para embragar y desembragar la rotación de la cuchilla, se utiliza la palanca (fig. 2 n°1): al soltar la palanca, la cuchilla se para.

Durante el embrague, el motor tiene que estar a la mitad de revoluciones y la máquina tiene que estar fuera del césped.

El desembrague se produce al soltar la palanca (fig. 2 n°1).

La cuchilla tiene que detenerse a los 5 segundos, de lo contrario habrá que registrar el freno mediante el regulador fig. 15.

Nota: Esta operación debe ser realizada por un centro de asistencia autorizado.

REEMPLAZO CORREAS

La transmisión del movimiento del motor a la transmisión hidráulica y del motor a las dos cuchillas se produce mediante dos correas trapezoidales. **¡Cambiar las correas apenas se noten signos de desgaste!**

Las operaciones de reemplazo y de regulación son bastante complejas, por lo cual es indispensable recurrir a un Centro de Asistencia Autorizado.

Para cambiar la correa que une el motor y el plato de corte, es necesario desmontar las 2 poleas de reenvío colocadas al lado de la polea del plato (fig. 13), desenganchar el muelle tensor (fig. 16) y desmontar las protecciones (fig. 16 pos.A).

Desenganchar el freno de las cuchillas y el muelle (**importante:** el muelle tiene que ser enganchado en el anillo). Para reemplazar la correa motor eje hidrostático, es necesario desmontar el soporte polea reenvío (fig.17).

¡USAR SIEMPRE CORREAS ORIGINALES!

DISPOSITIVO DE DESBLOQUEO DE LA TRACCIÓN

El dispositivo de desbloqueo de la tracción se encuentra en la parte trasera de la máquina (fig. 18), si se presentara una avería en la máquina, para poder remolcarla o desplazarla a mano, colocar la palanca en punto muerto (fig. 18 ref. A). En la posición (B) la máquina está en función.

GUÍA PARA IDENTIFICAR LOS INCONVENIENTES:

INCONVENIENTE	
CAUSA	SOLUCIÓN
Puesta en marcha difícil o funcionamiento irregular del motor	
<ul style="list-style-type: none">– Problemas de carburación– Depósitos o impurezas en el combustible– Insuficiencia en el sistema de encendido	<ul style="list-style-type: none">– Limpiar o cambiar el filtro de aire– Regular el carburador (seguir las instrucciones del manual del motor)– Vaciar el depósito y usar gasolina nueva– Controlar y, de ser necesario, cambiar el filtro de gasolina– Controlar que el respiradero en el tapón del tanque no esté obturado– Controlar la fijación del capuchón de la bujía– Controlar la limpieza y la distancia correcta entre los electrodos
Calo del rendimiento del motor durante el corte	
<ul style="list-style-type: none">– Velocidad de avance elevada en relación a la altura de corte	<ul style="list-style-type: none">– Disminuir la velocidad– Subir unas muescas el plato de corte
Corte irregular	
<ul style="list-style-type: none">– Plato de corte no paralelo al terreno– Ineficacia de la cuchilla	<ul style="list-style-type: none">– Controlar la presión de los neumáticos– Controlar que la cuchilla esté bien montada– Afilarse o cambiar las cuchillas– Controlar la tensión de la correa motor del plato
Vibraciones durante el funcionamiento	
<ul style="list-style-type: none">– Cuchillas desequilibradas– Uniones flojas	<ul style="list-style-type: none">– Equilibrar o cambiar las cuchillas averiadas– Controlar y ajustar los tornillos de fijación de las cuchillas, así como los del motor y del bastidor.

LA MÁQUINA NO SE MANTIENE EN PUNTO MUERTO

Regular el dispositivo (fig. 19), aflojar la contratuerca y mover el tornillo central.

FIN DEL TRABAJO

Una vez terminado el corte, desembragar las cuchillas y efectuar el camino de retorno con el plato de corte en posición de altura máxima.

Para detenerse, llevar la palanca de avance a la posición de STOP (fig. 2 n. 2), poner la palanca del acelerador al mínimo (posición STOP fig. 2 n°10), apagar el motor.

LIMPIEZA

Después de cada uso, limpiar la superficie exterior del cortacésped.

ESTACIONAMIENTO E INACTIVIDAD PROLONGADA

Guardar la máquina en un lugar seco, al reparo de la intemperie y, posiblemente, cubrirla con una lona. Seguir las indicaciones del manual del motor y lubricar todas las articulaciones.

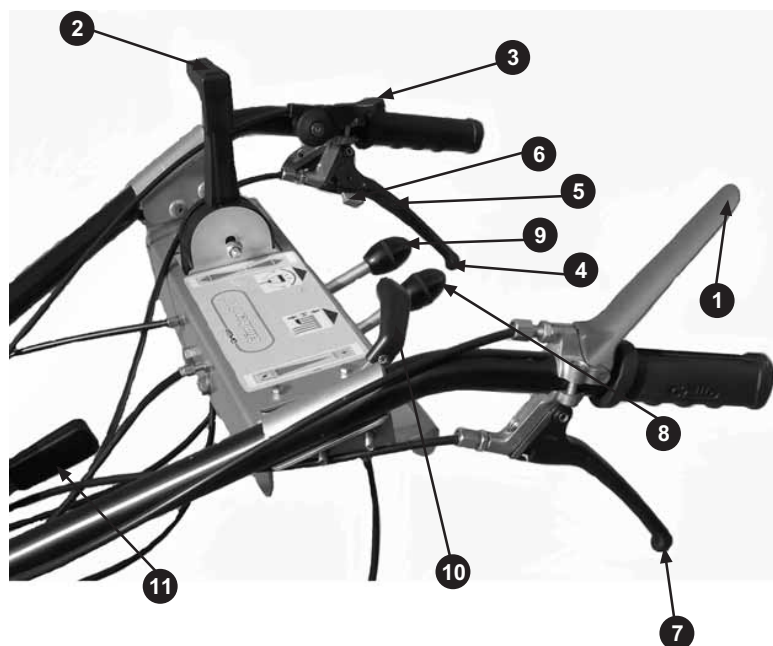
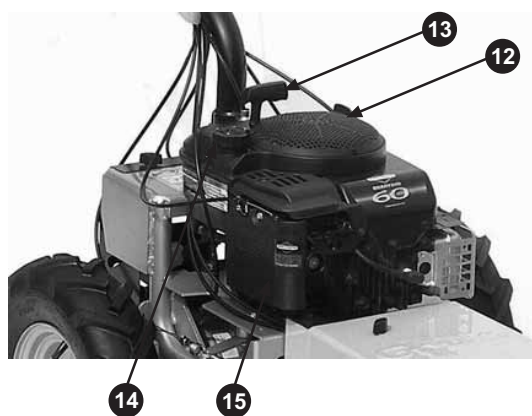
Añadir aditivo estabilizador para carburante.

Si se prevé un período de inactividad prolongado (superior a 1 mes), vaciar el motor del carburante para prevenir la formación de depósitos gomosos en el sistema de alimentación o en partes vitales del carburador.

Para proteger el motor, se aconseja utilizar el aditivo estabilizador para carburante Briggs&Stratton, disponible en todos los centros de asistencia autorizados Briggs&Stratton. Añadir el aditivo al carburante directamente en el tanque o en un recipiente para carburante. Hacer girar el motor para que el aditivo entre en circulación en el carburador. De esta manera el motor y el carburador se pueden conservar durante 24 meses.

Importante: si no se utilizan aditivos o el motor funciona con gasolina que contiene alcohol, vaciar el tanque del carburante, dejando que el motor gire hasta cuando el tanque no esté vacío.

Fig. 2



- 1) Blade rotation insertion lever.
- 2) Hydrostatic drive lever (forward motion / stop / reverse motion).
- 3) Locking control lever for front wheel.
- 4) Parking brake lever.
- 5) Wire adjustment.
- 6) Locking lever (parking brake).
- 7) Feed lever.
- 8) Cutting height adjustment lever.
- 9) Handlebar lateral adjustment lever.
- 10) Throttle.
- 11) Handlebar height adjustent lever.
- 12) Oil level.
- 13) Starting handle.
- 14) Fuel tank plug.
- 15) Air cleaner.

- 1) Leva inserimento rotazione lama.
- 2) Leva variatore di velocità (avanti / stop / rm).
- 3) Manettino bloccaggio ruotino anteriore.
- 4) Leva freno di parcheggio.
- 5) Registro filo.
- 6) Levetta di blocco (freno di parcheggio).
- 7) Leva avanzamento.
- 8) Leva regolazione altezza taglio.
- 9) Leva regolazione laterale manubrio.
- 10) Leva manettino acceleratore.
- 11) Leva regolazione altezza manubrio.
- 12) Livello olio.
- 13) Maniglia avviamento.
- 14) Tappo serbatoio carburante.
- 15) Filtro aria.

- 1) Levier commnade rotation lame.
- 2) Levier hydrostatique (marche AV. / stop / marche AR.).
- 3) Manette blocage galet plateau avant.
- 4) Levier frein de stationnement.
- 5) Levier frein droit.
- 6) Dispositif régulation câble (frein de stationnement).
- 7) Levier avancement.
- 8) Levier régulation hauteur de coupe.
- 9) Levier régulation latérale mancheron.
- 10) Accélérateur.
- 11) Levier régulation hauteur mancheron.
- 12) Niveau huile.
- 13) Poignée de démarrage.
- 14) Bouchon reservoir à combustible.
- 15) Filtre à air.

- 1) Hebel zum Einkuppeln der Messer
- 2) Hydrostatisches Hebel (Vorwärtsgang / Stop / Rückwärtsgang).
- 3) Gesperre-Gashebel für Vorrad.
- 4) Feststellbremse Lever.
- 5) Zugregister.
- 6) Gesperre Hebel (Feststellbremse)
- 7) Vorschub Hebel.
- 8) Schnitthöhe Regelung Hebel.
- 9) Lenker seitliche Regelung Hebel.
- 10) Gashebel.
- 11) Lenkerhöhe Regelung Hebel.
- 12) Ölhöhe.
- 13) Anlassen Griff.
- 14) Kraftstoffbehälter Stopfen.
- 15) Luftfilter.

- 1) Palanca mando rotación cuchilla.
- 2) Palanca variación velocidad (avance/parada/rm).
- 3) Palanca bloqueo rueda plato.
- 4) Palanca freno de estacionamiento.
- 5) Dispositivo regulación cable.
- 6) Palanca de bloqueo freno de estacionamiento.
- 7) Palanca de avance.
- 8) Palanca regulación altura de corte.
- 9) Palanca regulación lateral manillar.
- 10) Palanca mando acelerador.
- 11) Palanca regulación altura manillar.
- 12) Nivel aceite.
- 13) Manija arranque.
- 14) Tapón tanque carburante.
- 15) Filtro de aire.

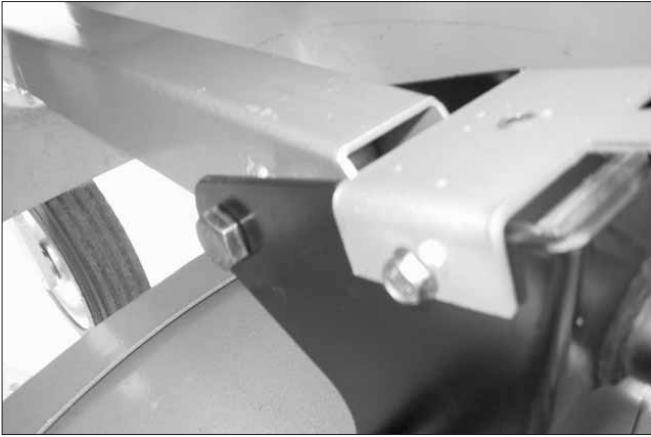


Fig. 3



Fig. 4



Fig. 5

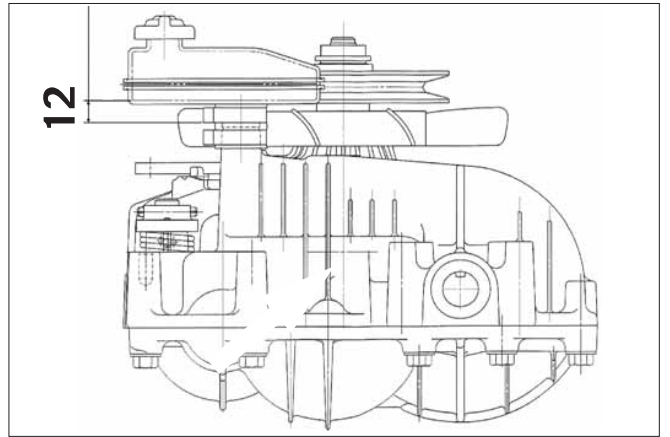


Fig. 6



Fig. 7

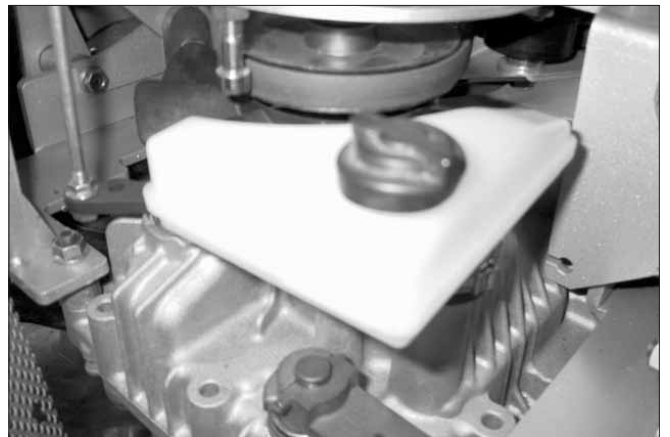


Fig. 8

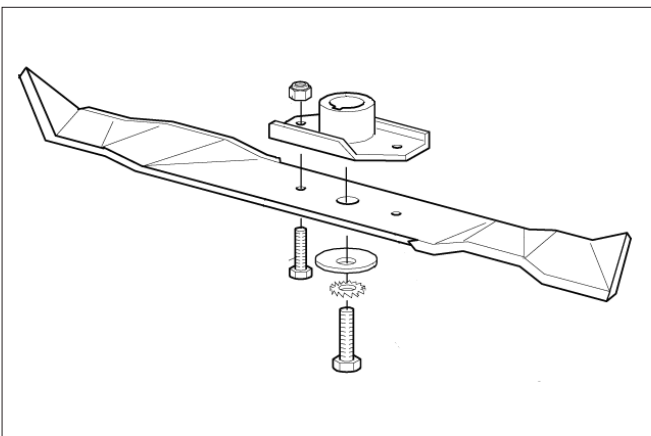


Fig. 9

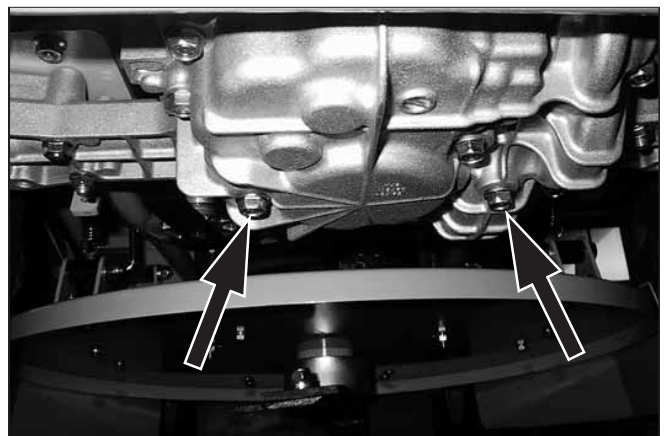


Fig. 10

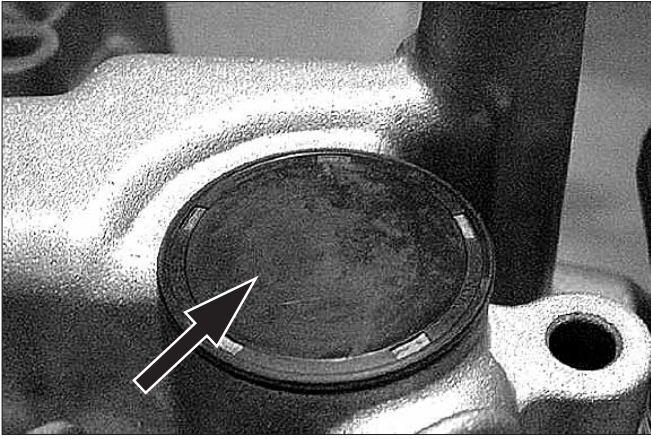


Fig. 11



Fig. 12



Fig. 13

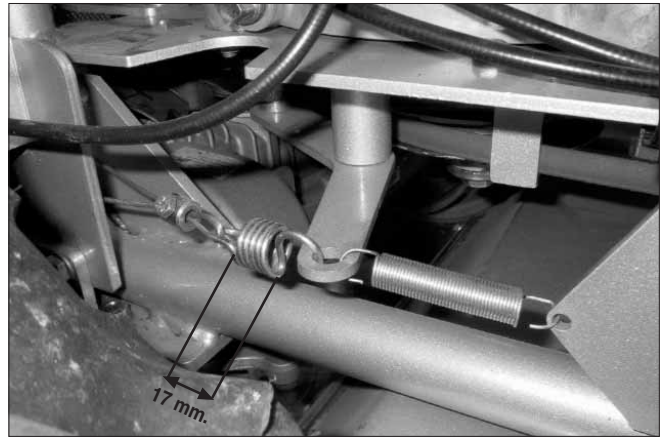


Fig. 14

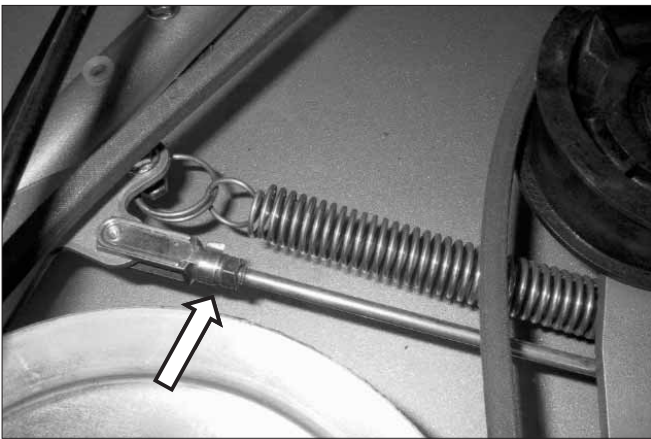


Fig. 15

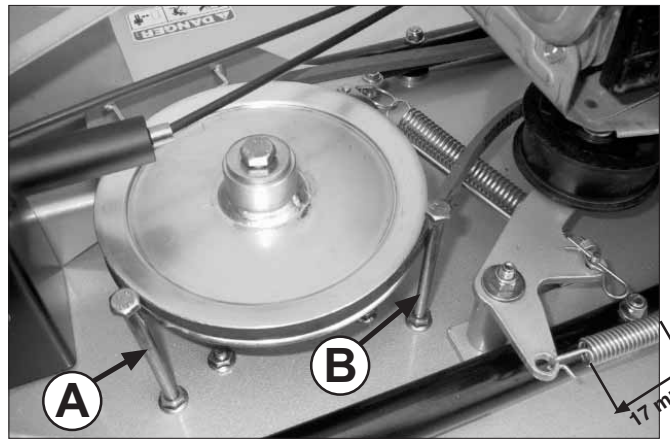


Fig. 16



Fig. 17

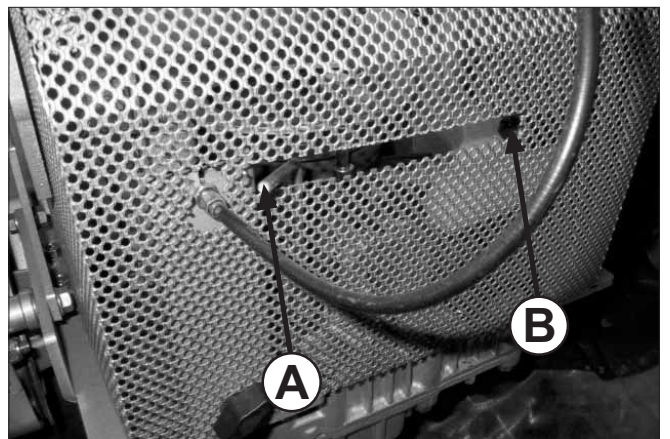


Fig. 18

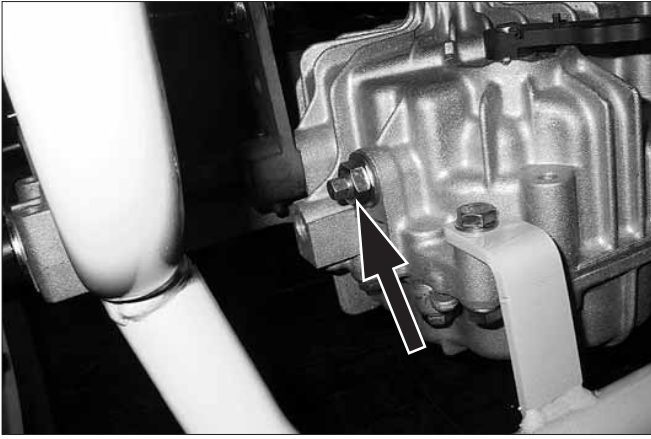


Fig. 19



47023 CESENA (ITALY) - Via Cervese 1701 - Tel. 0547/381333 (centralino)
Tel. 0547/381555 (ricambi) - Fax 0547/384222 - 0547/632011
Internet: www.grillospa.it - E-mail: grillo@grillospa.it